

PLAN

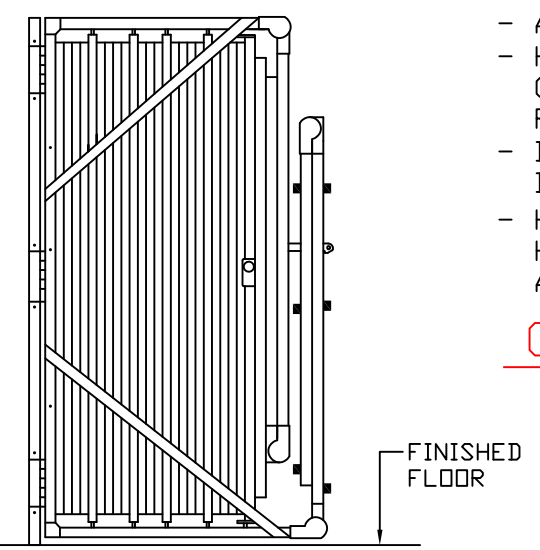
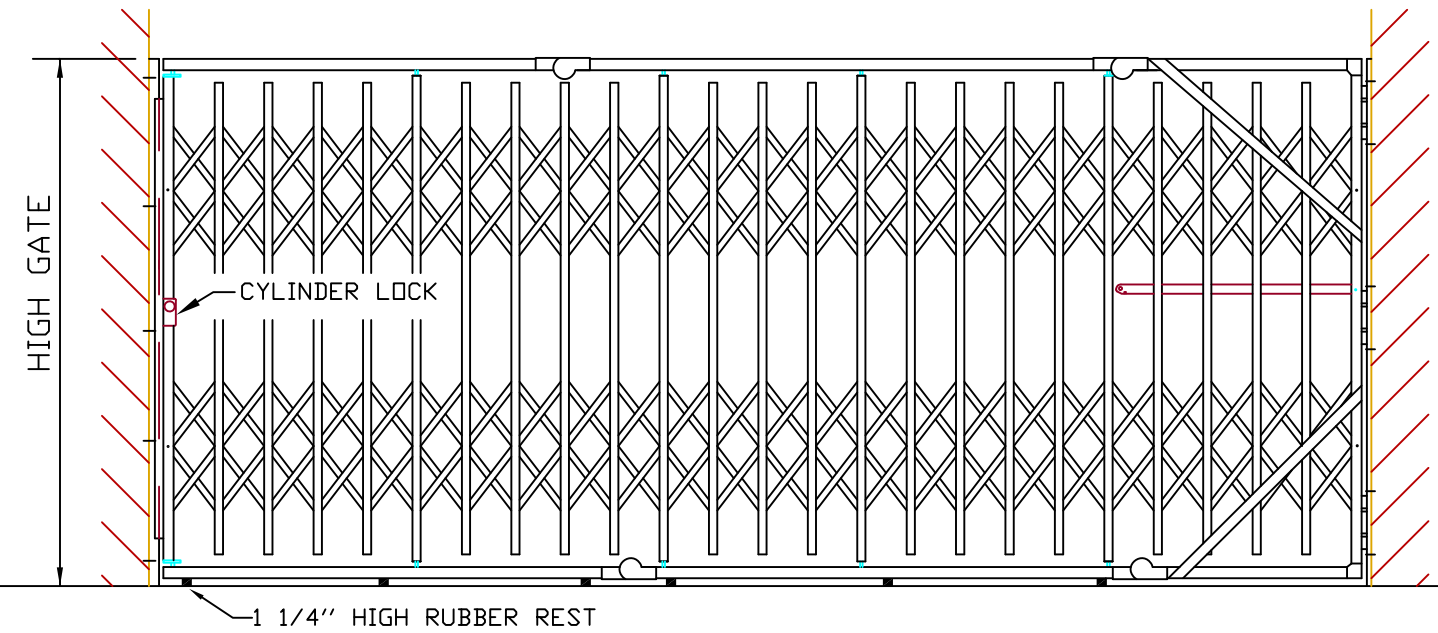
SPECIFICATIONS

ACORN 5743S FOLDING GATE

- VERTICAL MEMBERS ARE TWO 3/4" X 3/8" COLD ROLLED CHANNELS SPACED NOT OVER 6" ON CENTER.
- LATTICE BARS ARE 5/8" X 3/16" COLD ROLLED FLAT STEEL. **TWO ROWS OF LATTICE FOR GATES 8'-0" HIGH OR LESS.**
- VERTICAL END BARS ARE COLD ROLLED BOX TYPE SECTIONS TO RECEIVE ROLLER BEARINGS AND CYLINDER LOCK.
- ALL MOVING PARTS ARE FITTED WITH ROLLERS.
- HINGED TOP AND BOTTOM TRACKS HAVE GUSSET BRACES IN ALL CORNERS, AUTOMATIC HOLD UP ARM FOR TOP TRACK, RUBBER FLOOR RESTS FOR BOTTOM TRACK. GATE HAS SELF-LOCKING TIE BACK ARM.
- DOUBLE CYLINDER FOLDING GATE LOCK HAS STANDARD 1-5/32" DIAMETER MORTISE CYLINDERS.
- HOLD BACK CLIP AND S-HOOK ON CHAIN ARE FURNISHED FOR HOLDING THE GATE AGAINST THE WALL WHEN IT IS STACKED AND NOT IN USE.

CYLINDERS BY: ACORN OR OTHERS

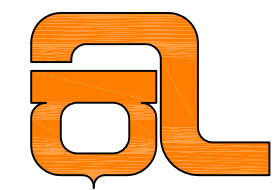
NOTE:
THIS DRAWING DOES NOT SHOW WALL BASES. IF THEY EXIST PLEASE MARK IN THE HEIGHT AND PROJECTION.



ELEVATION

COLLAPSED ELEVATION

THIS DRAWING IN DESIGN AND DETAIL IS OUR PROPERTY, AND MUST NOT BE USED EXCEPT IN CONNECTION WITH OUR WORK. ALL RIGHTS OF DESIGN OR INVENTION ARE RESERVED.



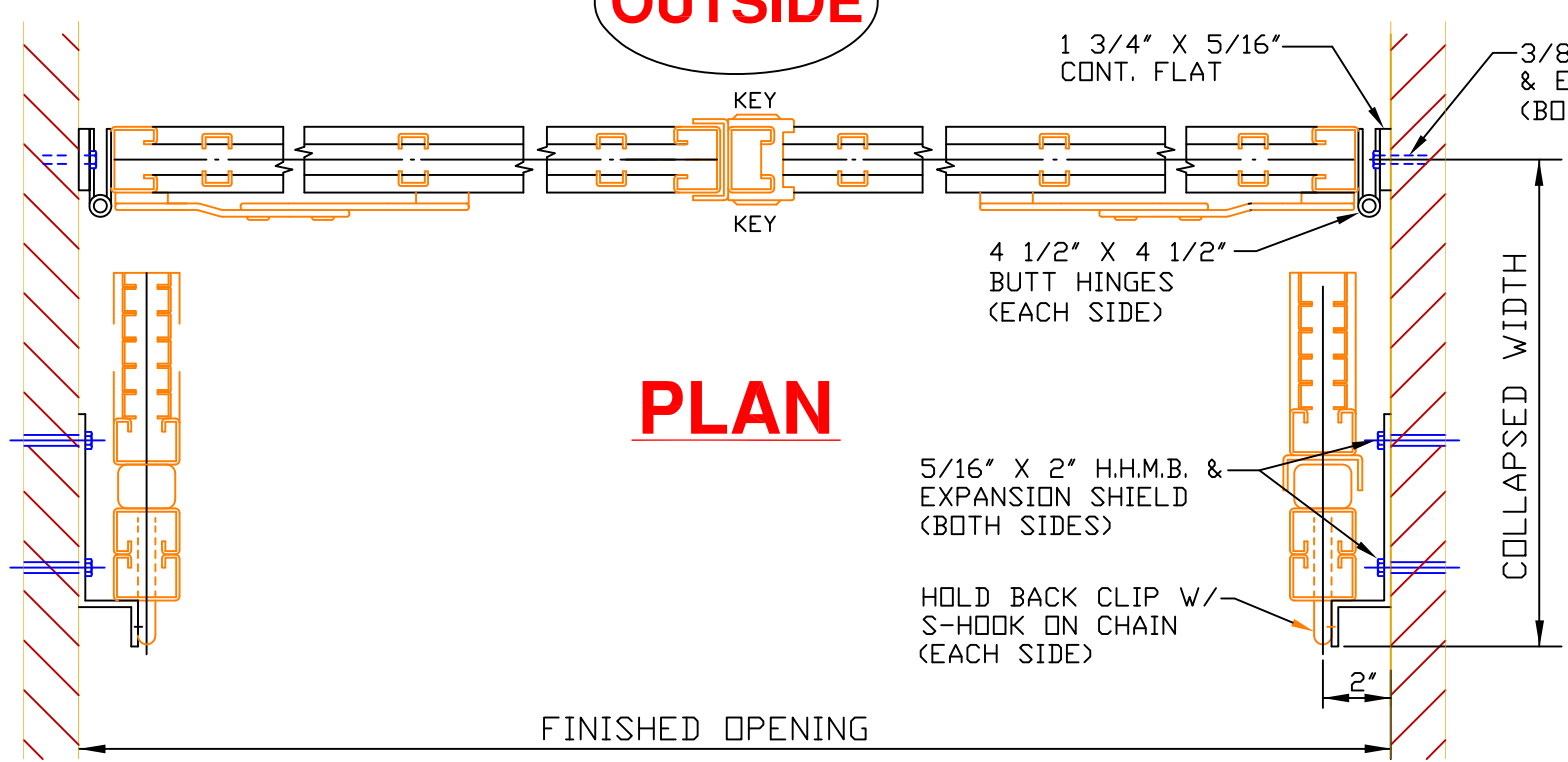
Chicago 312-243-6414
Acorn Wire + Iron Works
2415 W. 21 Street Chicago, IL 60608

project _____
location _____
archtct _____
gen.contractor _____
customer _____

product **STEEL FOLDING GATES**
specification **MODEL 5743-S**
material finish **POWDER COAT-**
archt.-eng. drwg. ref. _____
drawn by **ER** date _____
revision _____

order no. _____
sheet no.
1 of **1**

OUTSIDE



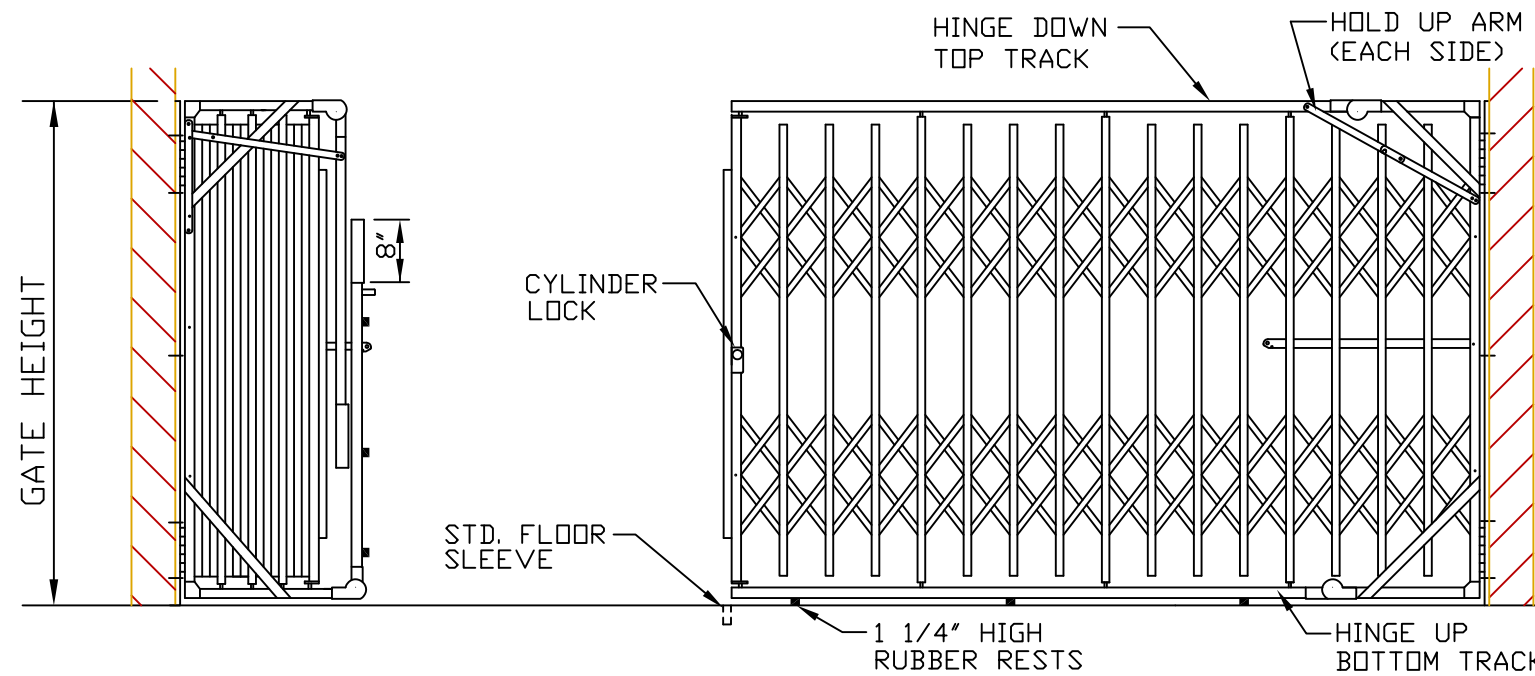
PLAN

SPECIFICATIONS

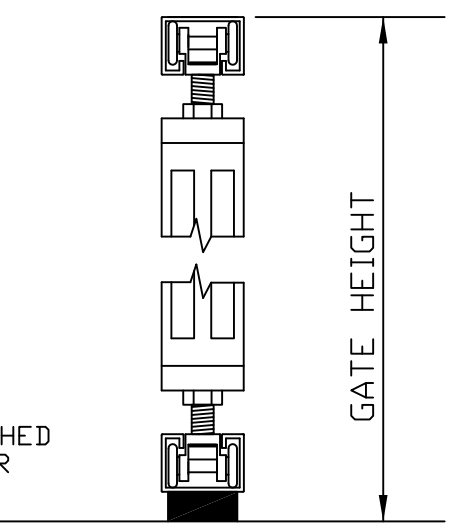
ACORN 5743D FOLDING GATE

- VERTICAL MEMBERS ARE TWO 3/4" X 3/8" COLD ROLLED CHANNELS SPACED NOT OVER 6" ON CENTER.
- LATTICE BARS ARE 5/8" X 3/16" COLD ROLLED STEEL TWO ROWS OF LATTICE FOR GATES 8'-0" HIGH OR LESS.
- VERTICAL END BARS ARE COLD ROLLED BOX TYPE SECTIONS TO RECEIVE ROLLER BEARINGS AND CYLINDER LOCK.
- ALL MOVING PARTS ARE FITTED WITH ROLLERS.
- HINGED TOP AND BOTTOM TRACKS HAVE GUSSET BRACES IN ALL CORNERS, AUTOMATIC HOLD UP ARM FOR TOP TRACK, RUBBER FLOOR RESTS FOR BOTTOM TRACK. GATE HAS SELF-LOCKING TIE BACK ARM.
- DOUBLE CYLINDER FOLDING GATE LOCK HAS STANDARD 1-5/32" DIAMETER MORTISE CYLINDERS.
- HOLD BACK CLIP AND S-HOOK ON CHAIN ARE FURNISHED FOR HOLDING THE GATE AGAINST THE WALL WHEN IT IS STACKED AND NOT IN USE.

CYLINDERS BY: OTHERS OR ACORN



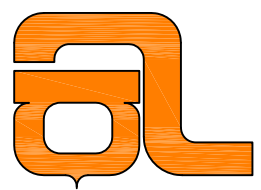
ELEVATION



VERTICAL SECTION

NOTE:
THIS DRAWING DOES NOT SHOW WALL BASES. IF THEY EXIST PLEASE MARK IN THE HEIGHT AND PROJECTION.

THIS DRAWING IN DESIGN AND DETAIL IS OUR PROPERTY, AND MUST NOT BE USED EXCEPT IN CONNECTION WITH OUR WORK. ALL RIGHTS OF DESIGN OR INVENTION ARE RESERVED.



Chicago 312-243-6414

Acorn Wire + Iron Works
2415 W. 21 Street Chicago, IL 60608

project _____

location _____

architect _____

gen.contractor _____

customer _____

product **STEEL FOLDING GATES**

specification **MODEL 5743-D**

material finish **POWDER COAT-**

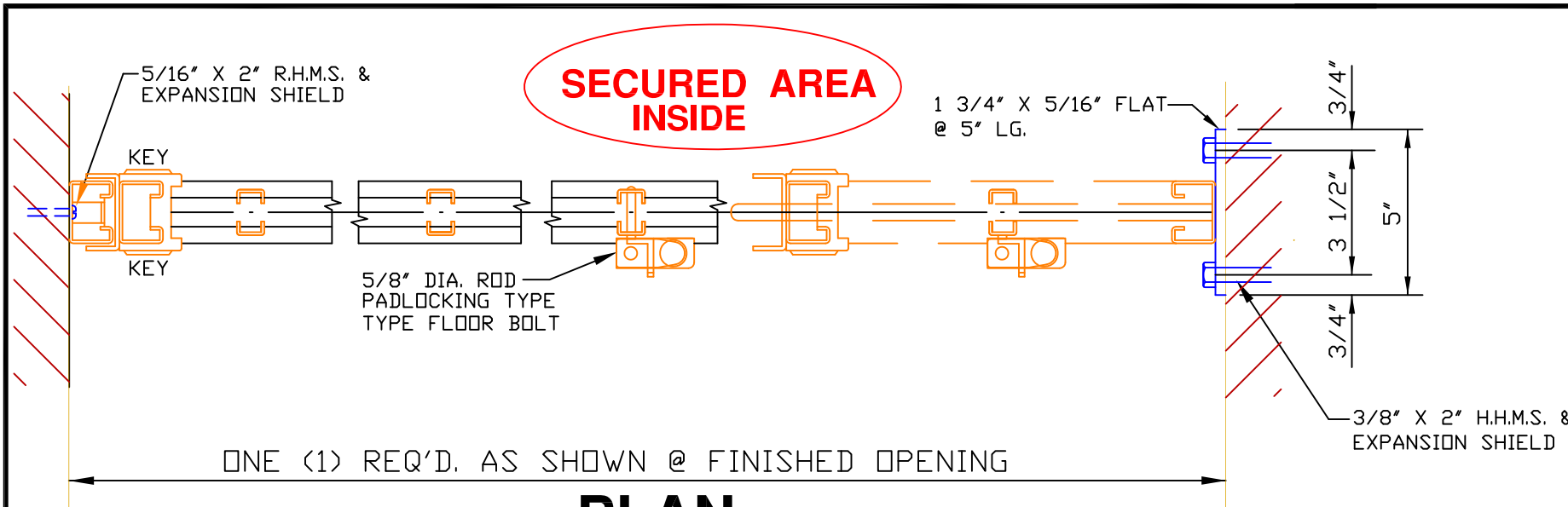
archt.-eng. drwg. ref. _____

drawn by **ER** date _____

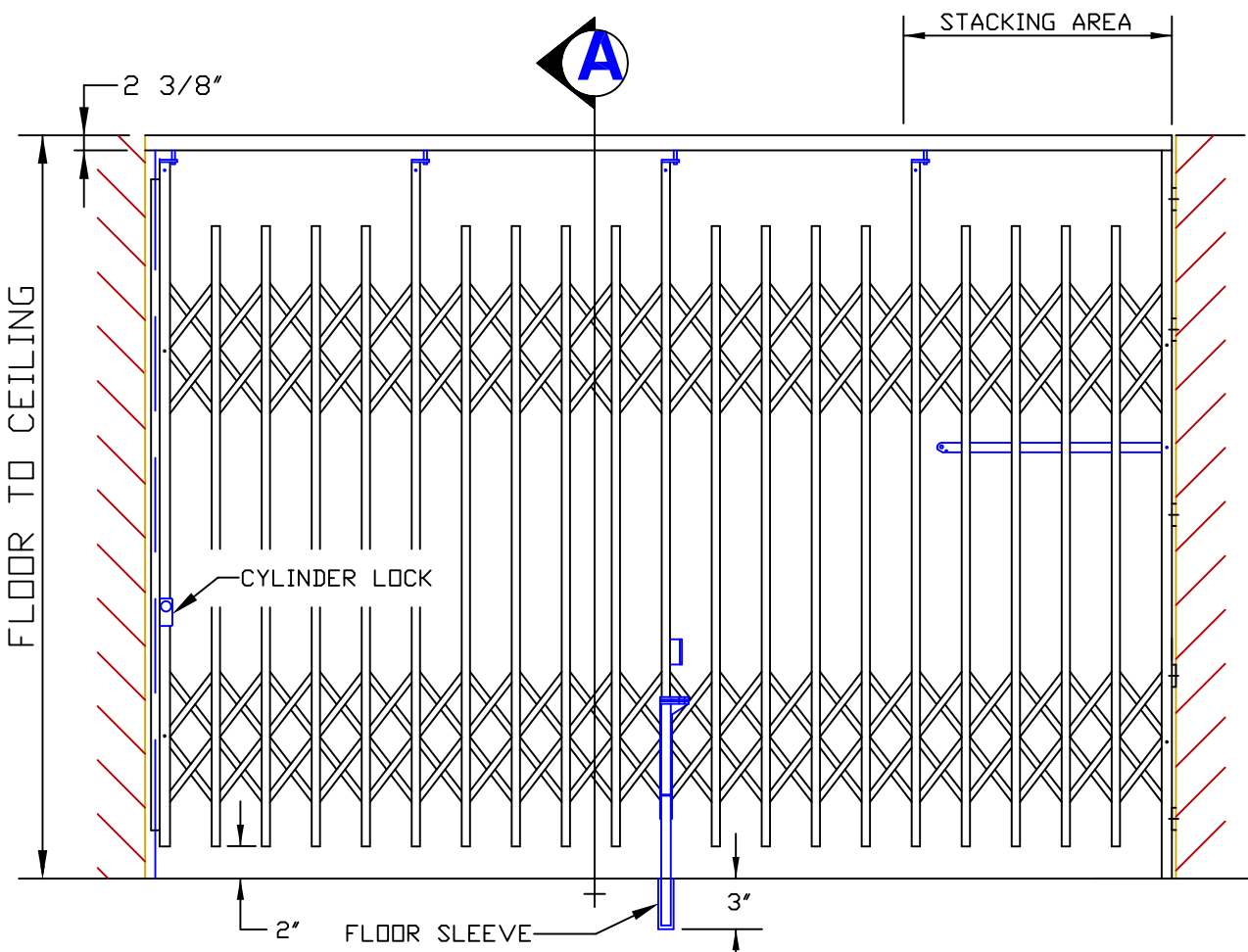
revision _____

order no. _____

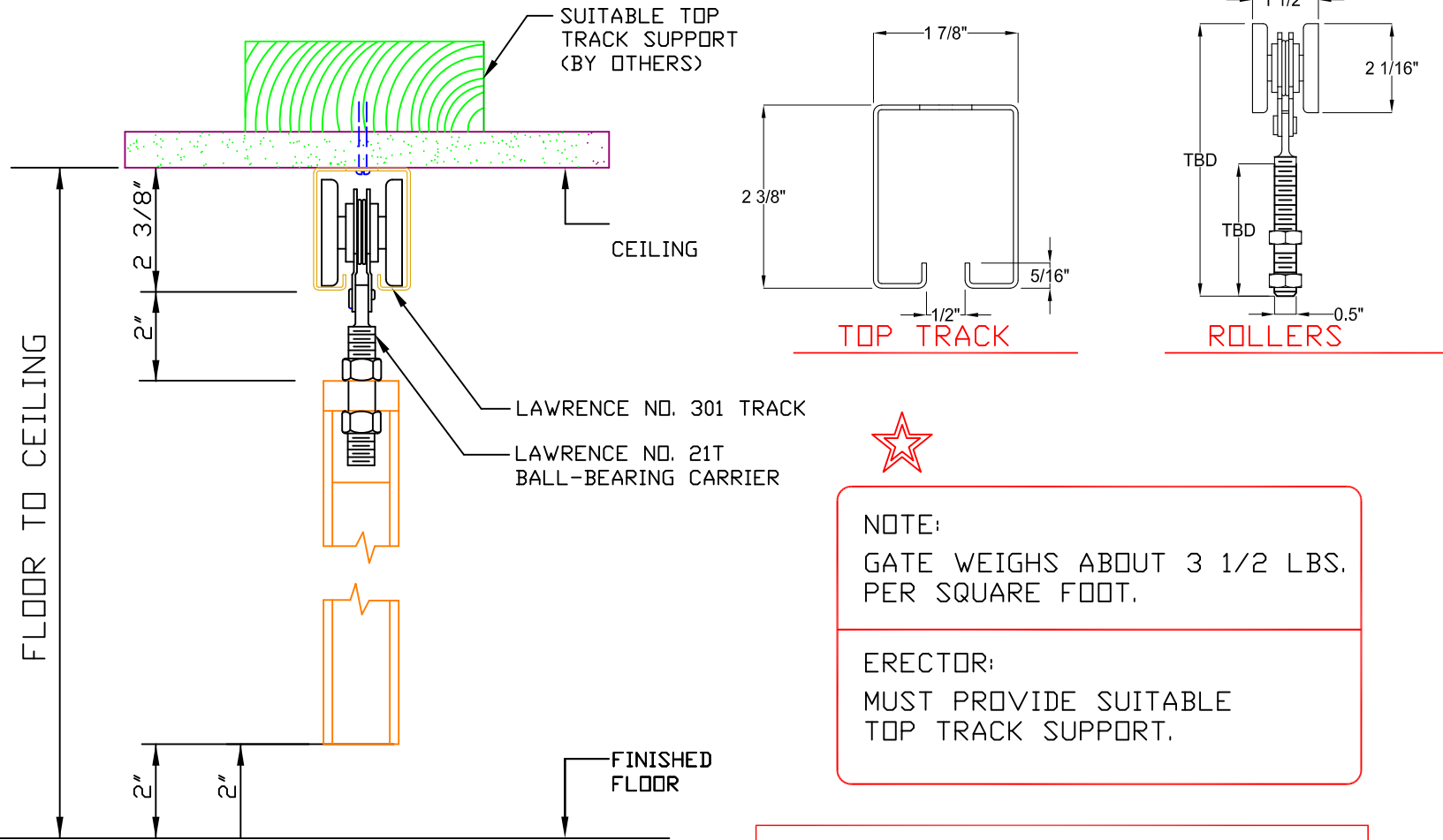
sheet no.
1 of **1**



PLAN



ELEVATION



VERTICAL SECTION A

SPECIFICATIONS

ACORN 5748S FOLDING GATE

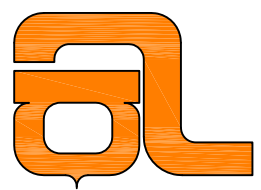
- VERTICAL MEMBERS ARE TWO 3/4" X 3/8" COLD ROLLED CHANNELS SPACED NOT OVER 6" ON CENTER
- LATTICE BARS ARE 5/8" X 3/16" COLD ROLLED FLAT STEEL
- TWO ROWS OF LATTICE FOR GATES 8'-0" HIGH OR LESS
- THREE ROWS OF LATTICE FOR GATES GREATER THAN 8'-0" TO LESS THAN 10'-6" HIGH
- FOUR ROWS OF LATTICE FOR GATES GREATER THAN 10'-6" TO LESS THAN 13'-6" HIGH
- VERTICAL END BARS ARE COLD ROLLED BOX TYPE SECTIONS TO RECEIVE ROLLER BEARINGS AND CYLINDER LOCK.
- ALL MOVING PARTS ARE FITTED WITH ROLLERS
- LAWRENCE NO. 301 TRACK 1 7/8" X 2 3/8"
- DOUBLE CYLINDER FOLDING GATE LOCK HAS STANDARD 1-5/32" DIAMETER MORTISE CYLINDERS.

CYLINDERS BY: ACORN OR OTHERS

NOTE:
GATE WEIGHS ABOUT 3 1/2 LBS. PER SQUARE FOOT.

ERECTOR:
MUST PROVIDE SUITABLE TOP TRACK SUPPORT.

THIS DRAWING IN DESIGN AND DETAIL IS OUR PROPERTY, AND MUST NOT BE USED EXCEPT IN CONNECTION WITH OUR WORK. ALL RIGHTS OF DESIGN OR INVENTION ARE RESERVED.

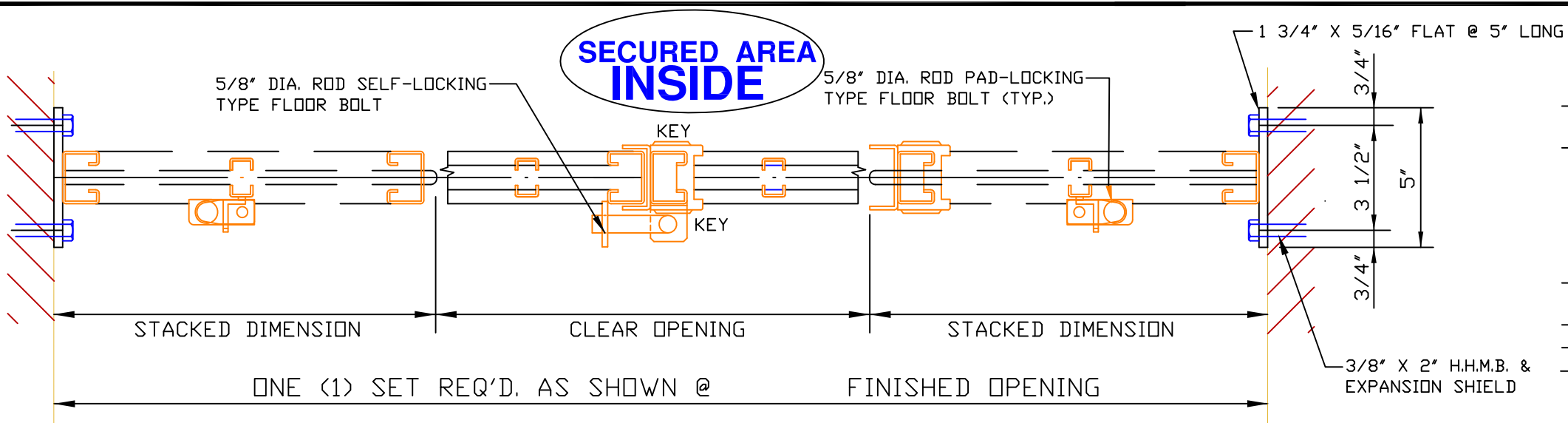


Chicago 312-243-6414
Acorn Wire + Iron Works
2415 W. 21 Street Chicago, IL 60608

project _____
location _____
archlct _____
gen.contractor _____
customer _____

product **STEEL FOLDING GATES**
specification **MODEL 5748-S**
material finish **POWDER COAT-**
archt.-eng. drwg. ref. _____
drawn by **ER** date _____
revision _____

order no. _____
sheet no.
1 of **1**



SECURED AREA INSIDE

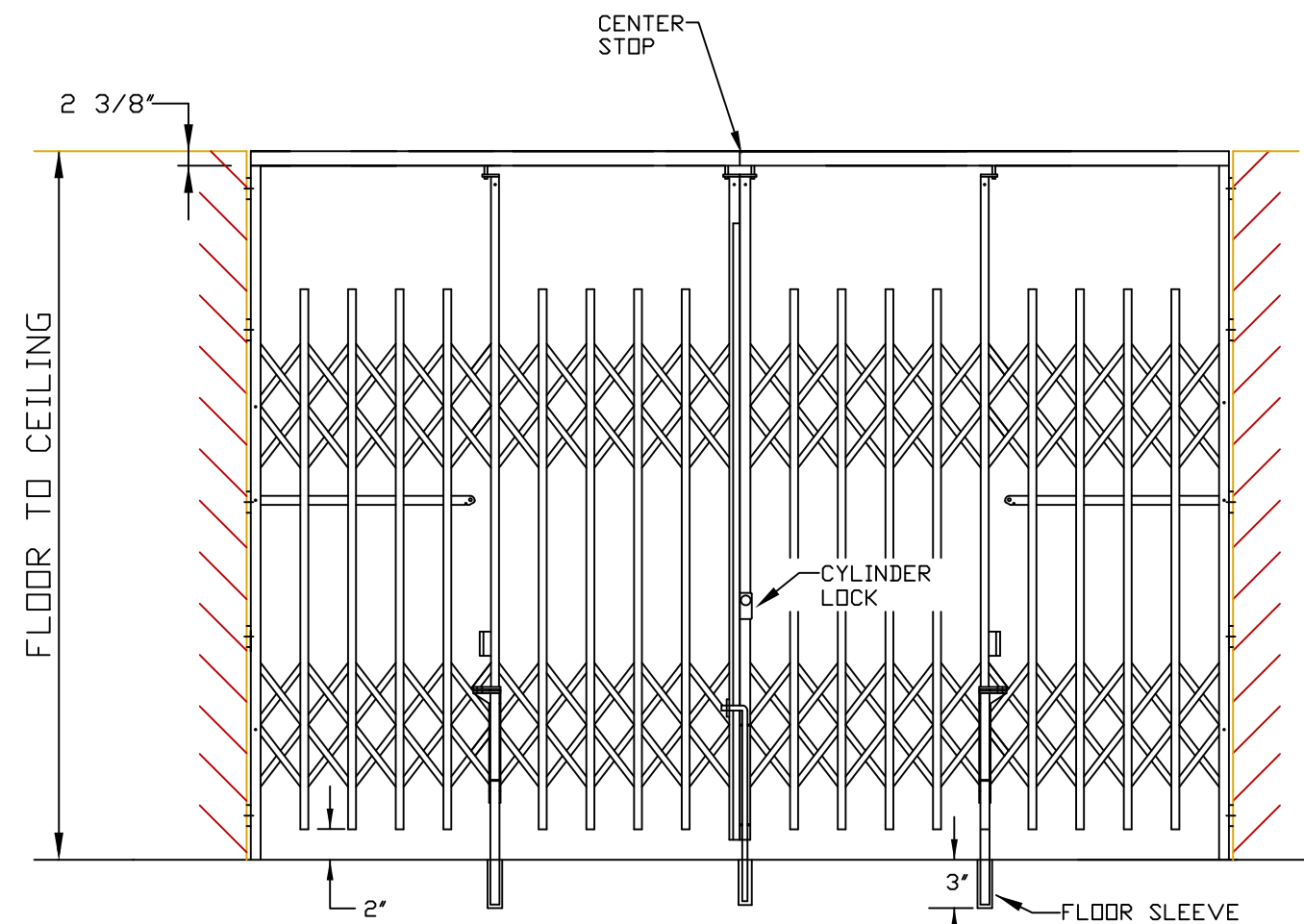
SPECIFICATIONS

ACORN 5748D FOLDING GATE

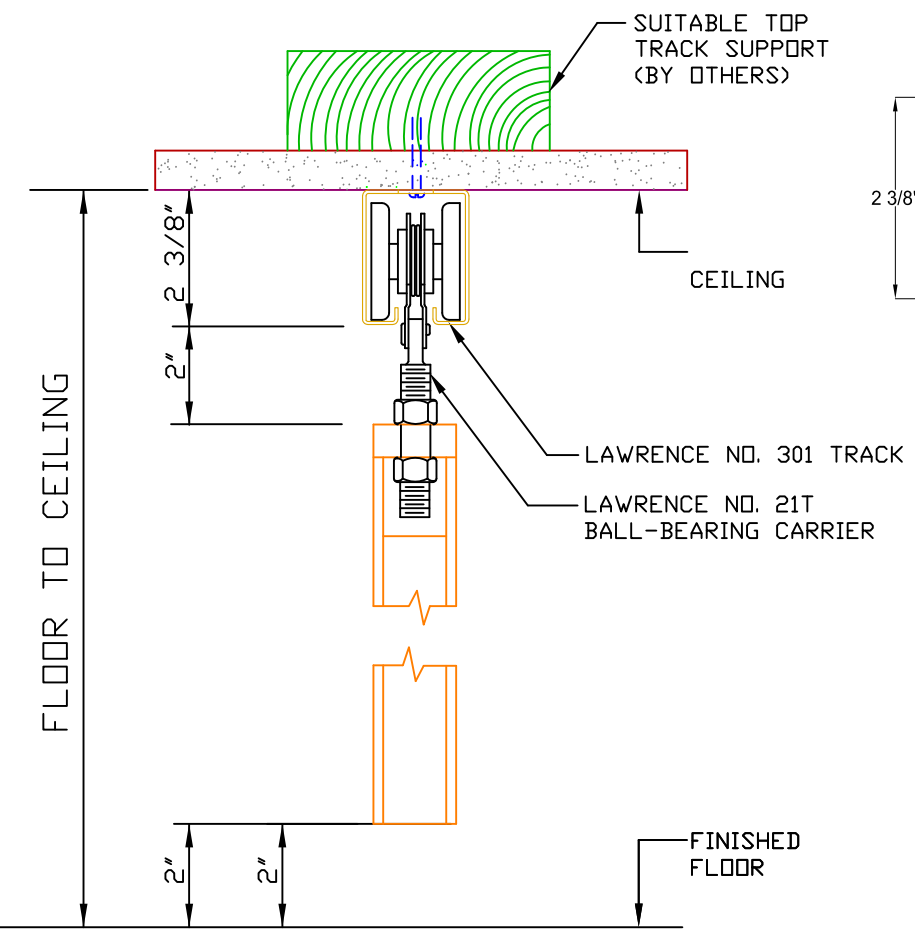
- VERTICAL MEMBERS ARE TWO 3/4" X 3/8" COLD ROLLED CHANNELS SPACED NOT OVER 6" ON CENTER
- LATTICE BARS ARE 5/8" X 3/16" COLD ROLLED FLAT STEEL
- TWO ROWS OF LATTICE FOR GATES 8'-0" HIGH OR LESS**
- THREE ROWS OF LATTICE FOR GATES GREATER THAN 8'-0" TO LESS THAN 10'-6" HIGH
- FOUR ROWS OF LATTICE FOR GATES GREATER THAN 10'-6" TO LESS THAN 13'-6" HIGH
- VERTICAL END BARS ARE COLD ROLLED BOX TYPE SECTIONS TO RECEIVE ROLLER BEARINGS AND CYLINDER LOCK.
- ALL MOVING PARTS ARE FITTED WITH ROLLERS
- LAWRENCE NO. 301 TRACK 1 7/8" X 2 3/8"
- DOUBLE CYLINDER FOLDING GATE LOCK HAS STANDARD 1-5/32" DIAMETER MORTISE CYLINDERS.

CYLINDERS BY: OTHERS OR ACORN

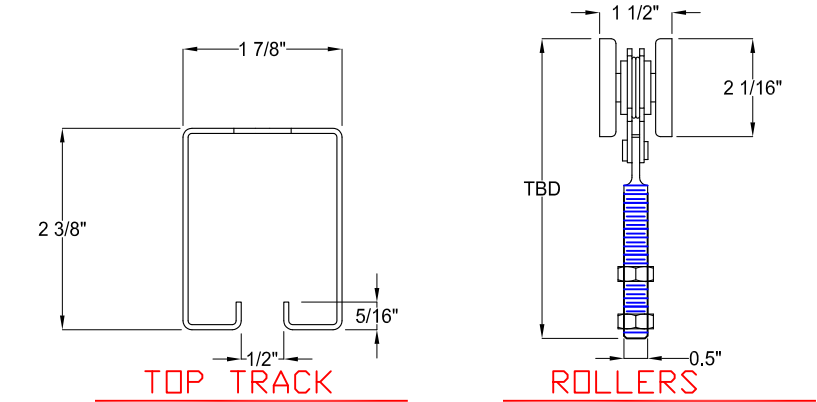
PLAN



ELEVATION



VERTICAL SECTION

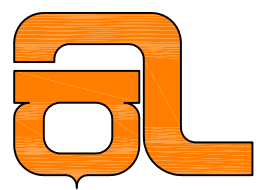


★ **NOTE:**

GATE WEIGHS ABOUT 3 1/2 LBS. PER SQUARE FOOT.

ERECTOR: MUST PROVIDE SUITABLE TOP TRACK SUPPORT.

THIS DRAWING IN DESIGN AND DETAIL IS OUR PROPERTY, AND MUST NOT BE USED EXCEPT IN CONNECTION WITH OUR WORK. ALL RIGHTS OF DESIGN OR INVENTION ARE RESERVED.



Chicago 312-243-6414

Acorn Wire + Iron Works
2415 W. 21 Street Chicago, IL 60608

project _____

location _____

architect _____

gen.contractor _____

customer _____

product **STEEL FOLDING GATES**

specification **MODEL 5748-D**

material finish **POWDER COAT-**

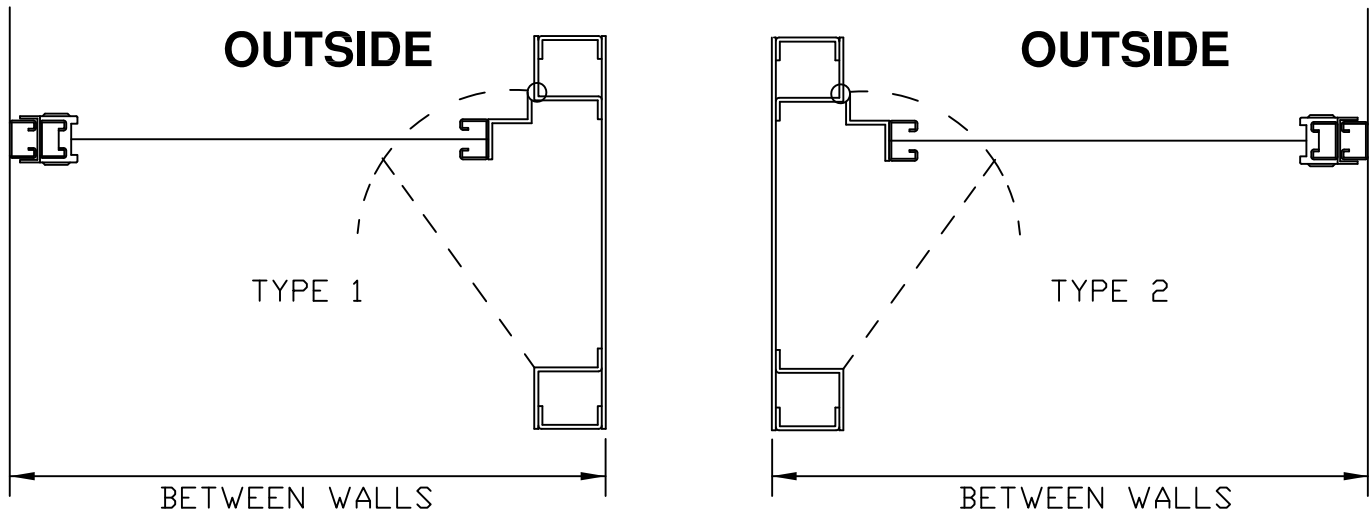
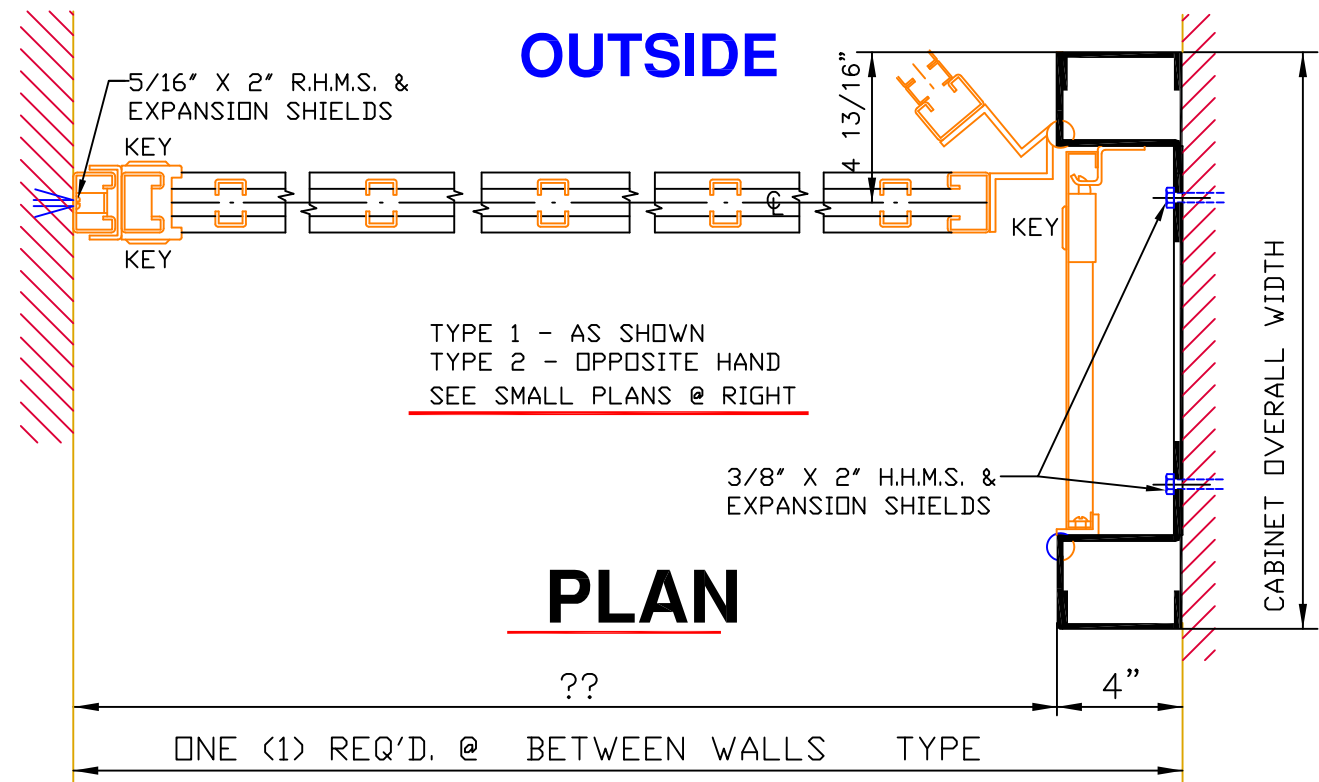
archt.-eng. drwg. ref. _____

drawn by **ER** date _____

revision _____

order no. _____

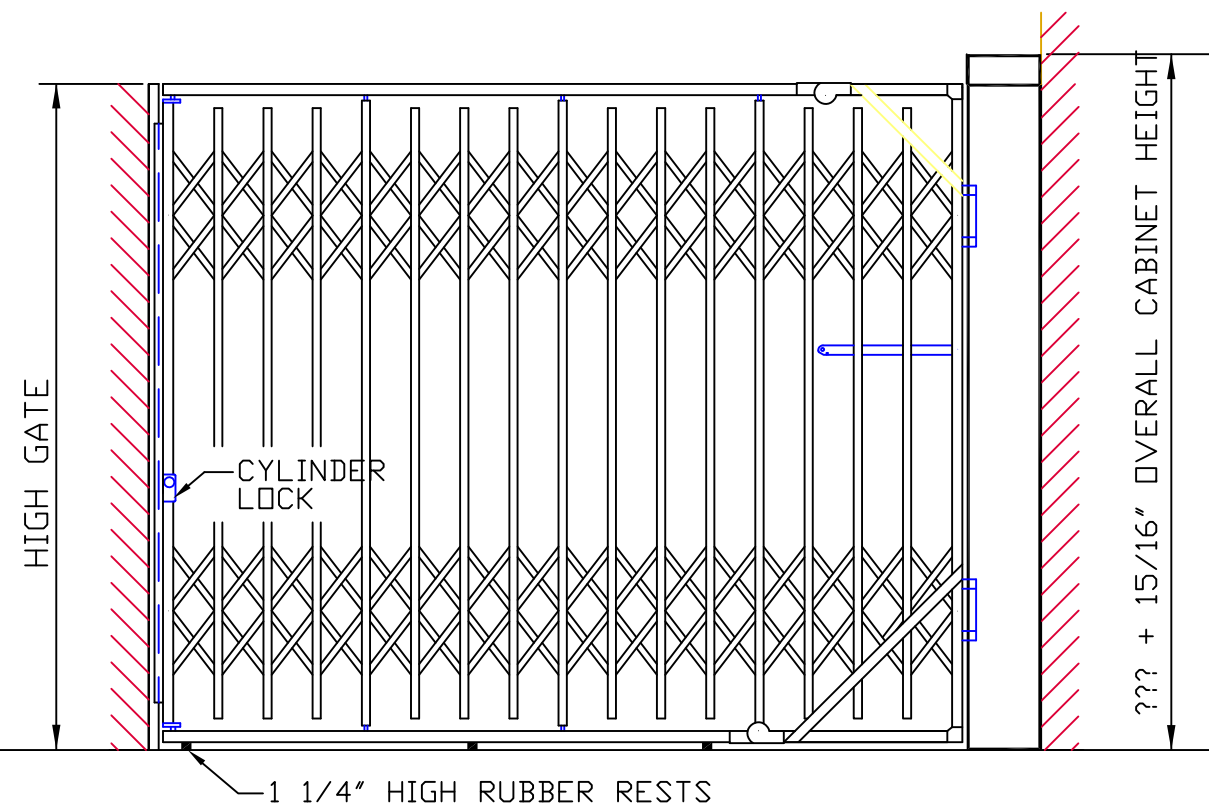
sheet no.
1 of **1**



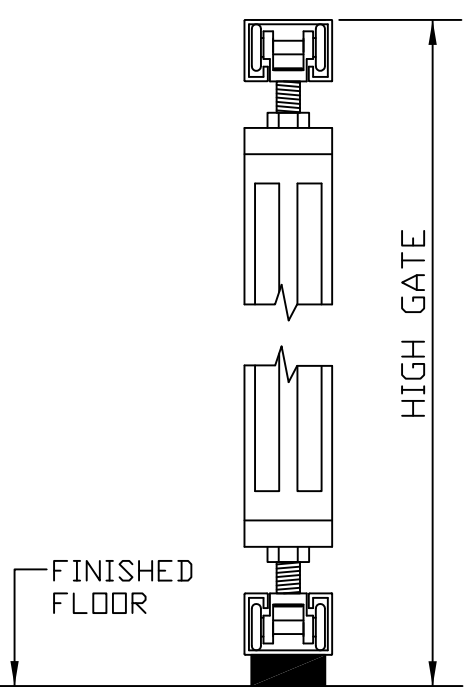
SPECIFICATIONS

- ACORN 5761S FOLDING GATE
- VERTICAL MEMBERS ARE TWO 3/4" X 3/8" COLD ROLLED CHANNELS SPACED NOT OVER 6" ON CENTER.
 - LATTICE BARS ARE 5/8" X 3/16" COLD ROLLED FLAT STEEL.
 - **TWO ROWS OF LATTICE FOR GATES 8'-0" HIGH OR LESS.**
 - VERTICAL END BARS ARE COLD ROLLED BOX TYPE SECTIONS TO RECEIVE ROLLER BEARINGS AND CYLINDER LOCK.
 - ALL MOVING PARTS ARE FITTED WITH ROLLERS.
 - HINGED TOP AND BOTTOM TRACKS HAVE GUSSET BRACES IN ALL CORNERS, AUTOMATIC HOLD UP ARM FOR TOP TRACK. RUBBER FLOOR RESTS FOR BOTTOM TRACK. GATE HAS SELF-LOCKING TIE BACK ARM.
 - SPECIAL GATE HINGES PERMIT CABINET DOOR TO BE CLOSED AND LOCKED WHEN GATE IS IN BOTH STACKED AND EXTENDED POSITIONS.
 - CABINET CONSTRUCTED OF 3/16" COLD ROLLED Z BAR FRAME, WITH 16 GAUGE STEEL BACK. FLUSH 16 GAUGE DOORS HAVE FORMED C EDGES.
 - DOUBLE CYLINDER FOLDING GATE LOCK HAS STANDARD 1-5/32" DIAMETER MORTISE CYLINDERS.

CYLINDERS BY: ACORN

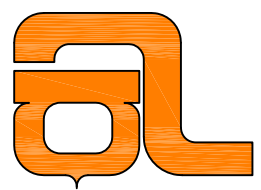


ELEVATION



VERTICAL SECTION

THIS DRAWING IN DESIGN AND DETAIL IS OUR PROPERTY, AND MUST NOT BE USED EXCEPT IN CONNECTION WITH OUR WORK. ALL RIGHTS OF DESIGN OR INVENTION ARE RESERVED.

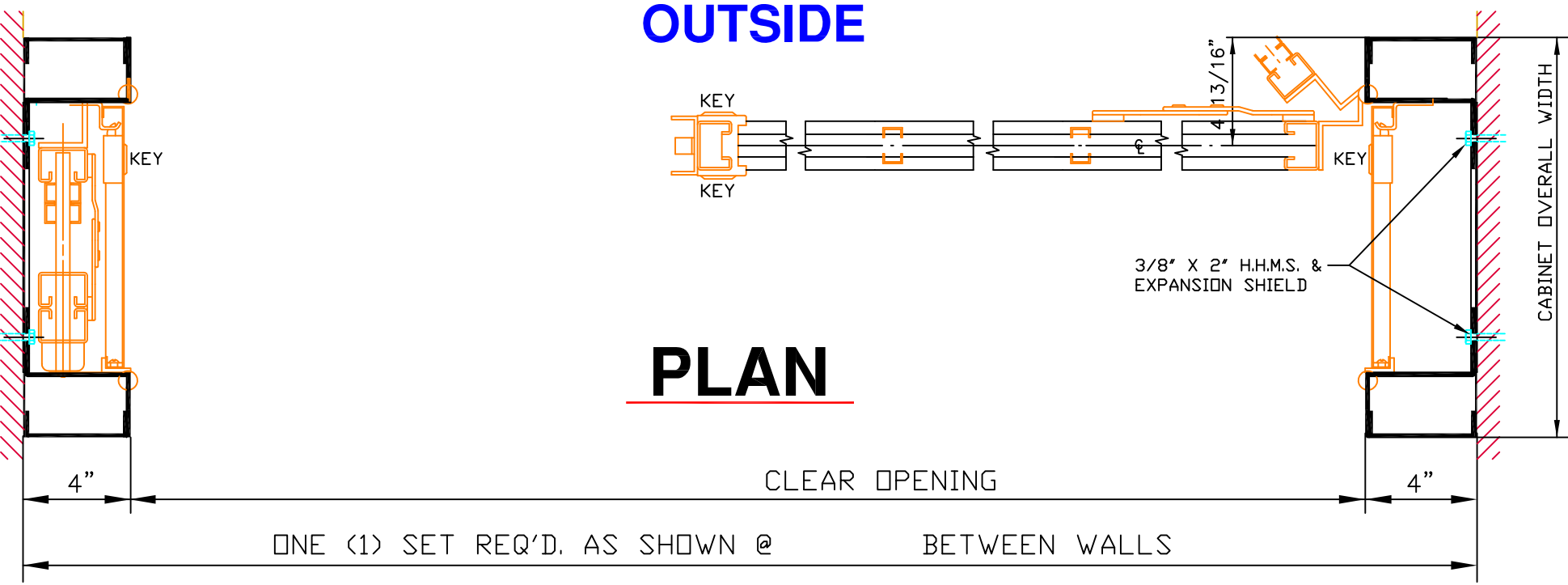


Chicago 312-243-6414
Acorn Wire + Iron Works
 2415 W. 21 Street Chicago, IL 60608

project _____
 location _____
 architect _____
 gen.contractor _____
 customer _____

product **STEEL FOLDING GATES**
 specification **MODEL 5761-SURFACE**
 material finish **POWDER COAT-**
 archt.-eng. drwg. ref. _____
 drawn by **ER** date _____
 revision _____

order no. _____
sheet no.
 1 of 1

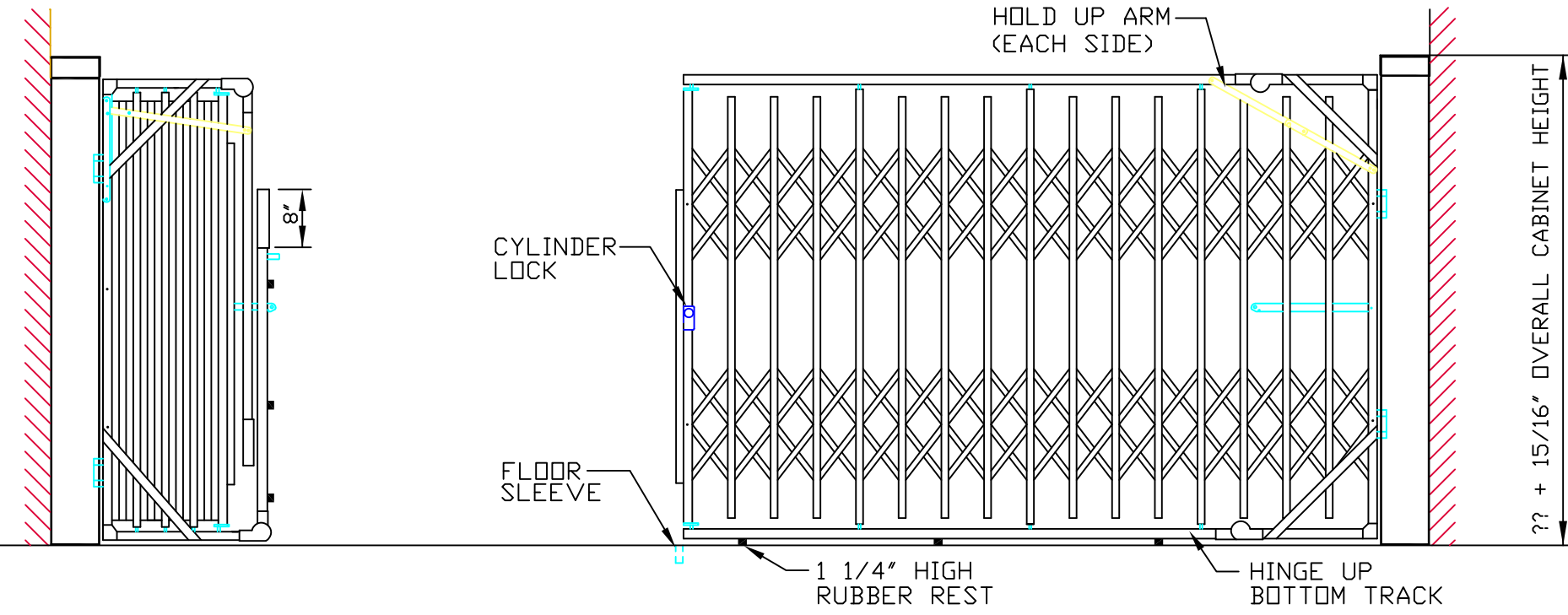


SPECIFICATIONS

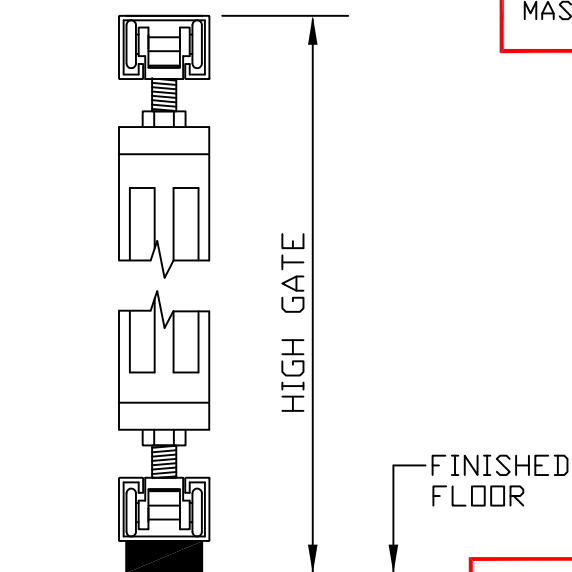
ACORN 5761D FOLDING GATE

- VERTICAL MEMBERS ARE TWO 3/4" X 3/8" COLD ROLLED CHANNELS SPACED NOT OVER 6" ON CENTER.
- LATTICE BARS ARE 5/8" X 3/16" COLD ROLLED FLAT STEEL **TWO ROWS OF LATTICE FOR GATES 8'-0" HIGH OR LESS**
- VERTICAL END BARS ARE COLD ROLLED BOX TYPE SECTIONS TO RECEIVE ROLLER BEARINGS AND CYLINDER LOCK.
- ALL MOVING PARTS ARE FITTED WITH ROLLERS.
- HINGED TOP AND BOTTOM TRACKS HAVE GUSSET BRACES IN ALL CORNERS, AUTOMATIC HOLD UP ARM FOR TOP TRACK, RUBBER FLOOR RESTS FOR BOTTOM TRACK. GATE HAS SELF-LOCKING TIE BACK ARM.
- CABINETS CONSTRUCTED OF 3/16" COLD ROLLED Z BAR FRAME, WITH 16 GAUGE STEEL BACK. FLUSH 16 GAUGE DOORS HAVE FORMED C EDGES.
- SPECIAL GATE HINGES PERMIT CABINET DOOR TO BE CLOSED AND LOCKED WHEN GATE IS IN BOTH STACKED AND EXTENDED POSITIONS.
- DOUBLE CYLINDER FOLDING GATE LOCK KEYED SAME AS CABINET LOCKS WITH STANDARD 1 5/32" DIAMETER MORTISED CYLINDERS.

CYLINDERS BY: ACORN OR OTHERS



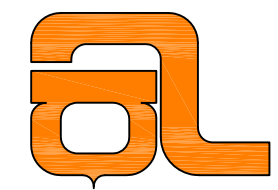
ELEVATION



VERTICAL SECTION

WOOD BUCKS FURNISHED BY GENERAL CONTRACTOR SECURELY ANCHORED TO MASONRY.

THIS DRAWING IN DESIGN AND DETAIL IS OUR PROPERTY, AND MUST NOT BE USED EXCEPT IN CONNECTION WITH OUR WORK. ALL RIGHTS OF DESIGN OR INVENTION ARE RESERVED.



Chicago 312-243-6414
Acorn Wire + Iron Works
 2415 W. 21 Street Chicago, IL 60608

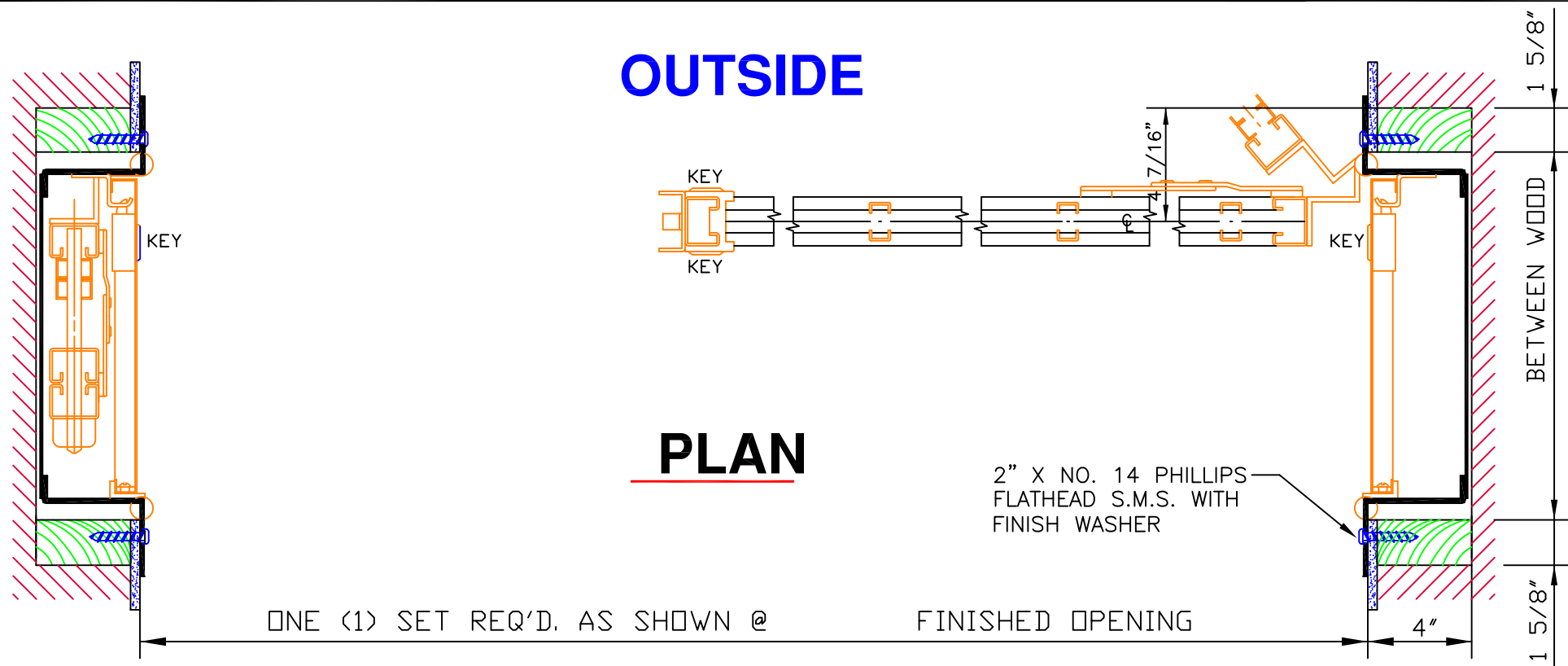
project _____
 location _____
 architect _____
 gen.contractor _____
 customer _____

product **STEEL FOLDING GATES**
 specification **MODEL 5761-D SURFACE**
 material finish **POWDER COAT-**
 archt.-eng. drwg. ref. _____
 drawn by **ER** date _____
 revision _____

order no. _____
sheet no.
 1 of 1

OUTSIDE

PLAN

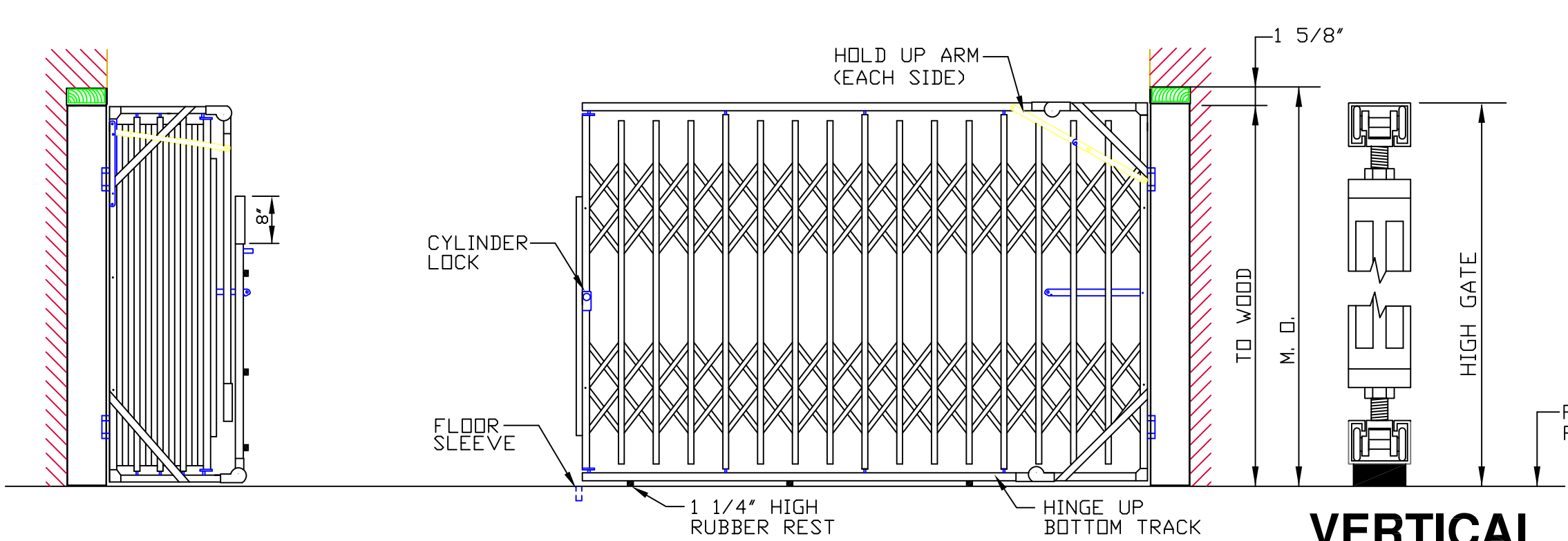


SPECIFICATIONS

ACORN 5761D FOLDING GATE

- VERTICAL MEMBERS ARE TWO 3/4" X 3/8" COLD ROLLED CHANNELS SPACED NOT OVER 6" ON CENTER.
- LATTICE BARS ARE 5/8" X 3/16" COLD ROLLED FLAT STEEL **TWO ROWS OF LATTICE FOR GATES 8'-0" HIGH OR LESS**
- VERTICAL END BARS ARE COLD ROLLED BOX TYPE SECTIONS TO RECEIVE ROLLER BEARINGS AND CYLINDER LOCK.
- ALL MOVING PARTS ARE FITTED WITH ROLLERS.
- HINGED TOP AND BOTTOM TRACKS HAVE GUSSET BRACES IN ALL CORNERS, AUTOMATIC HOLD UP ARM FOR TOP TRACK, RUBBER RESTS FOR BOTTOM TRACK. GATE HAS SELF-LOCKING TIE BACK ARM.
- CABINETS CONSTRUCTED OF 3/16" COLD ROLLED Z BAR FRAME, WITH 16 GAUGE STEEL BACK. FLUSH 16 GAUGE DOORS HAVE FORMED C EDGES.
- SPECIAL GATE HINGES PERMIT CABINET DOOR TO BE CLOSED AND LOCKED WHEN GATE IS IN BOTH STACKED AND EXTENDED POSITIONS.
- DOUBLE CYLINDER FOLDING GATE LOCK KEYED SAME AS CABINET LOCKS WITH STANDARD 1 5/32" DIAMETER MORTISED CYLINDERS.

CYLINDERS BY: ACORN OR OTHERS



ELEVATION

VERTICAL SECTION

THIS DRAWING IN DESIGN AND DETAIL IS OUR PROPERTY, AND MUST NOT BE USED EXCEPT IN CONNECTION WITH OUR WORK. ALL RIGHTS OF DESIGN OR INVENTION ARE RESERVED.



Chicago **312-243-6414**

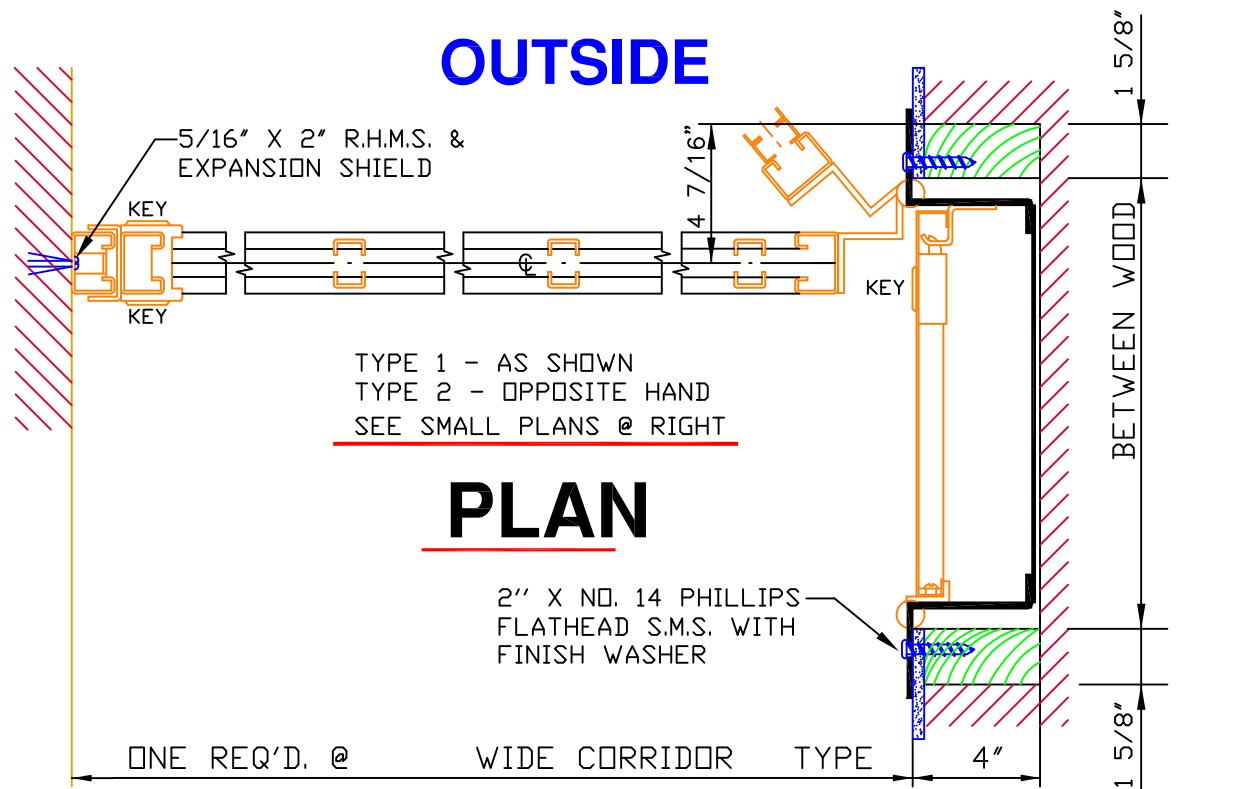
Acorn Wire + Iron Works
2415 W. 21 Street Chicago, IL 60608

project _____
 location _____
 architect _____
 gen.contractor _____
 customer _____

product **STEEL FOLDING GATES**
 specification **MODEL 5761-D SHALLOW**
 material finish **POWDER COAT-**
 archt.-eng. drwg. ref. _____
 drawn by **ER** date _____
 revision _____

order no. _____

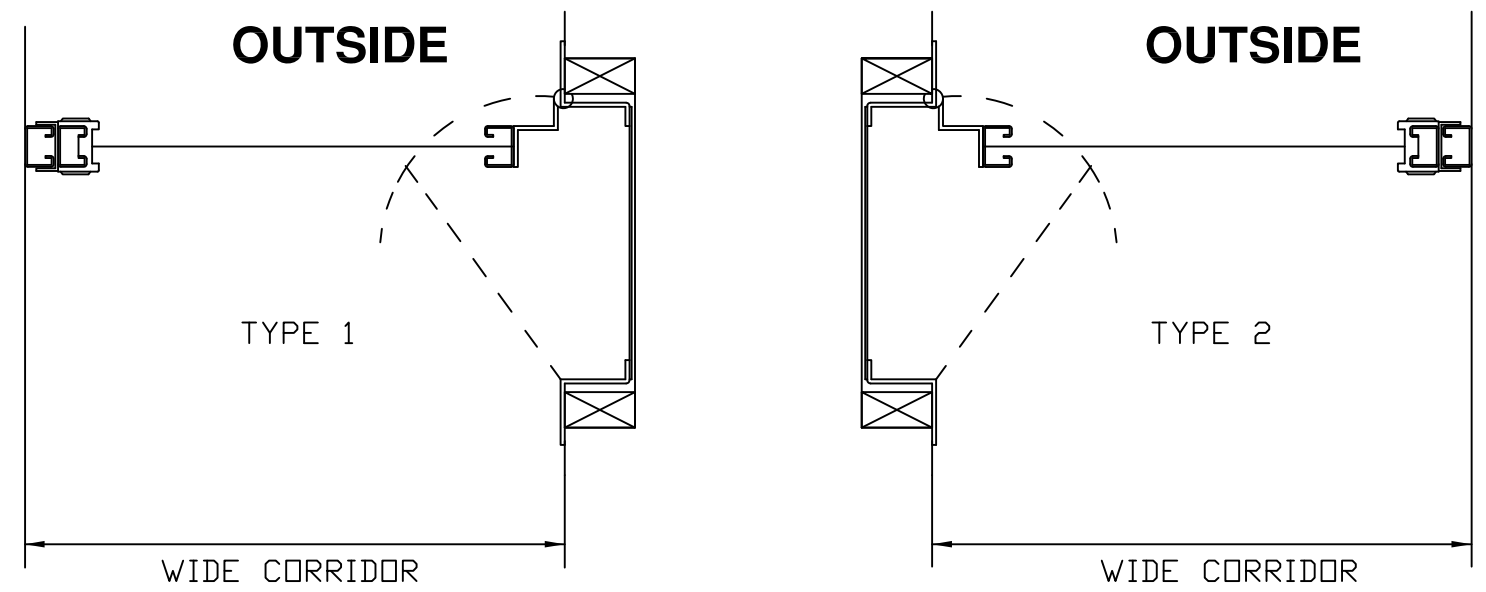
sheet no.
1 of **1**



PLAN

TYPE 1 - AS SHOWN
 TYPE 2 - OPPOSITE HAND
 SEE SMALL PLANS @ RIGHT

2" X NO. 14 PHILLIPS
 FLATHEAD S.M.S. WITH
 FINISH WASHER



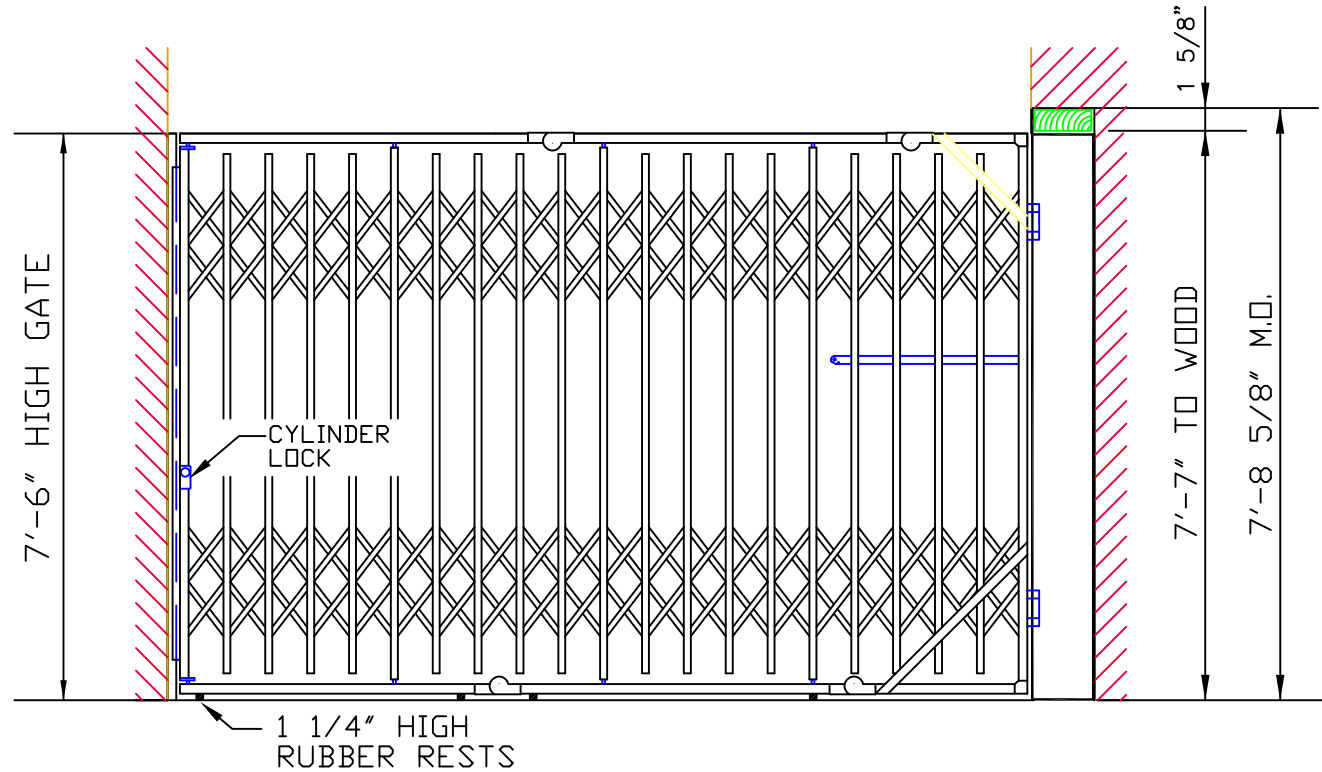
WOOD BUCKS FURNISHED
 BY GENERAL CONTRACTOR
 SECURELY ANCHORED TO
 MASONRY.

SPECIFICATIONS

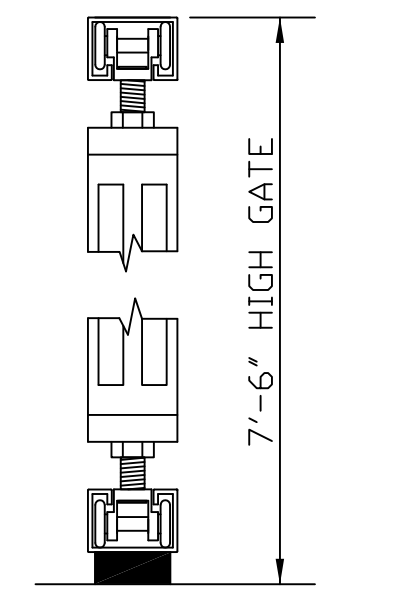
ACORN 5761S FOLDING GATE

- VERTICAL MEMBERS ARE TWO 3/4" X 3/8" COLD ROLLED CHANNELS SPACED NOT OVER 6" ON CENTER.
- LATTICE BARS ARE 5/8" X 3/16" COLD ROLLED FLAT STEEL.
 TWO ROWS OF LATTICE FOR GATES 8'-0" HIGH OR LESS.
- VERTICAL END BARS ARE COLD ROLLED BOX TYPE SECTIONS TO RECEIVE ROLLER BEARINGS AND CYLINDER LOCK.
- ALL MOVING PARTS ARE FITTED WITH ROLLERS.
- HINGED TOP AND BOTTOM TRACKS HAVE GUSSET BRACES IN ALL CORNERS, AUTOMATIC HOLD UP ARM FOR TOP TRACK, RUBBER FLOOR RESTS FOR BOTTOM TRACK. GATE HAS SELF-LOCKING TIE BACK ARM.
- SPECIAL GATE HINGES PERMIT CABINET DOOR TO BE CLOSED AND LOCKED WHEN GATE IS IN BOTH STACKED AND EXTENDED POSITIONS.
- CABINET CONSTRUCTED OF 3/16" COLD ROLLED Z BAR FRAME, WITH 16 GAUGE STEEL BACK. FLUSH 16 GAUGE DOORS HAVE FORMED C EDGES.
- DOUBLE CYLINDER FOLDING GATE LOCK HAS STANDARD 1-5/32" DIAMETER MORTISE CYLINDERS.

CYLINDERS BY: ACORN OR OTHERS

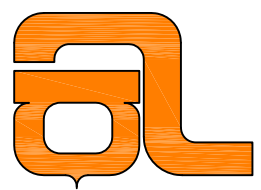


ELEVATION



VERTICAL SECTION

THIS DRAWING IN DESIGN AND DETAIL IS OUR PROPERTY, AND MUST NOT BE USED EXCEPT IN CONNECTION WITH OUR WORK. ALL RIGHTS OF DESIGN OR INVENTION ARE RESERVED.



Chicago 312-243-6414
Acorn Wire + Iron Works
 2415 W. 21 Street Chicago, IL 60608

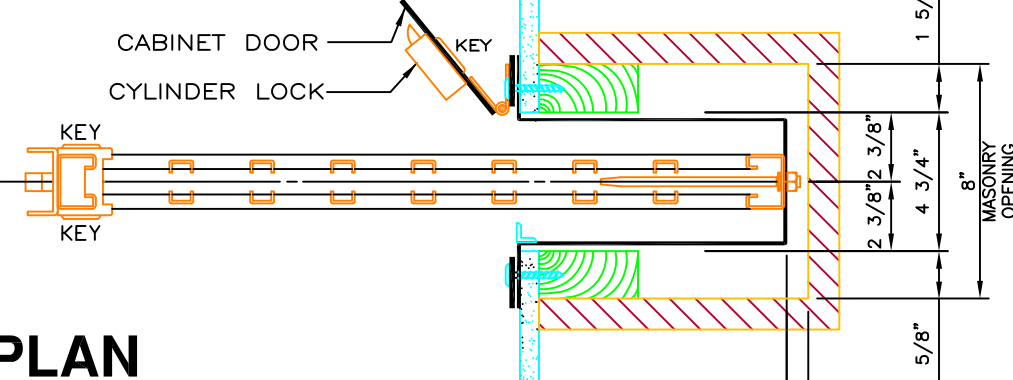
project _____
 location _____
 architect _____
 gen.contractor _____
 customer _____

product **STEEL FOLDING GATES**
 specification **MODEL 5761-SHALLOW**
 material finish **POWDER COAT-**
 archt.-eng. drwg. ref. _____
 drawn by **ER** date _____
 revision _____

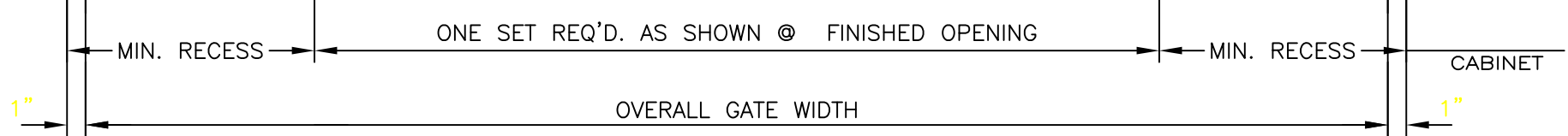
order no. _____
sheet no.
 1 of 1

WOOD BUCKS FURNISHED BY GENERAL CONTRACTOR SECURELY ANCHORED TO MASONRY.

INSIDE



PLAN

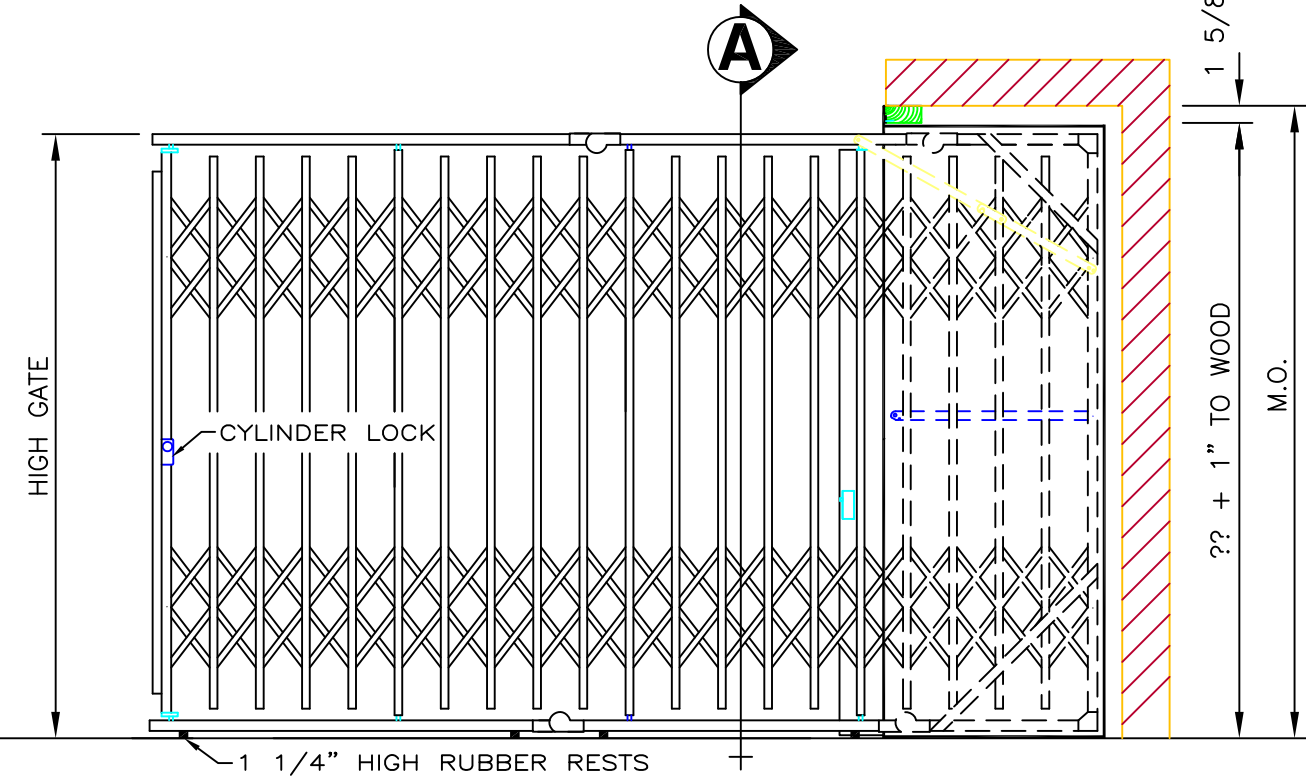
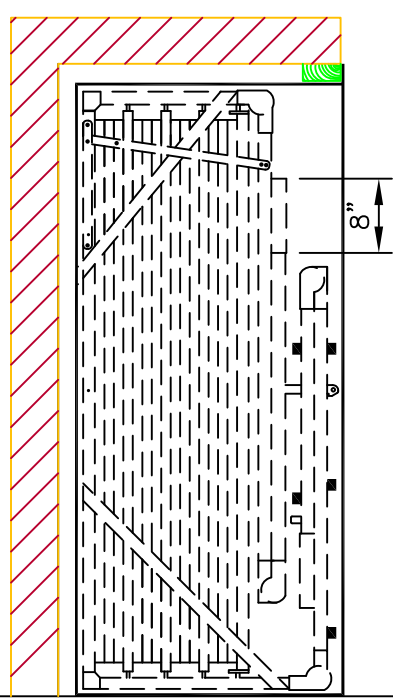


SPECIFICATIONS

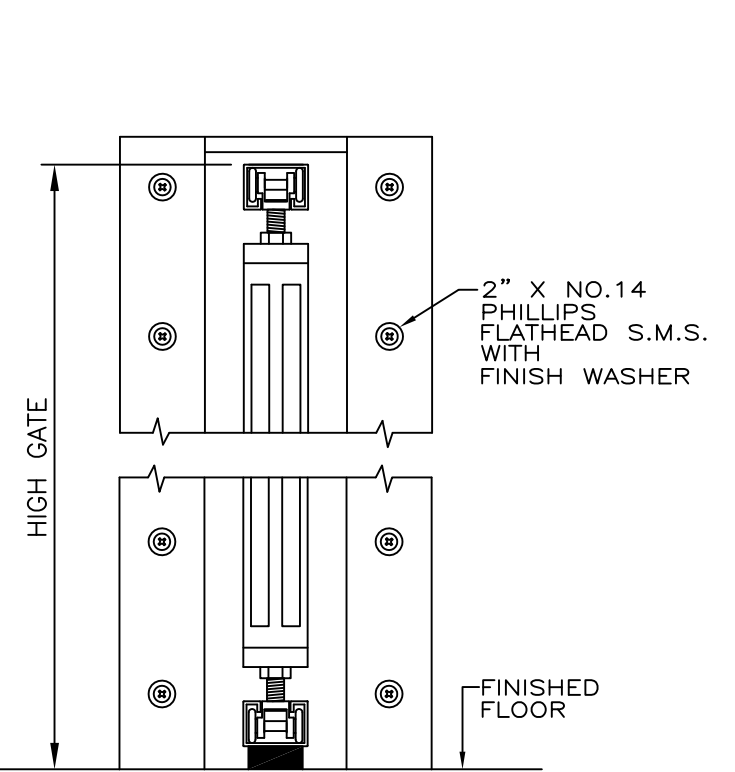
ACORN 5762D FOLDING GATE

- VERTICAL MEMBERS ARE TWO 3/4" X 3/8" COLD ROLLED CHANNELS SPACED NOT OVER 6" ON CENTER.
- LATTICE BARS ARE 5/8" X 3/16" COLD ROLLED FLAT STEEL **TWO ROWS OF LATTICE FOR GATES 8'-0" HIGH OR LESS**
- VERTICAL END BARS ARE COLD ROLLED BOX TYPE SECTIONS TO RECEIVE ROLLER BEARINGS AND CYLINDER LOCK.
- ALL MOVING PARTS ARE FITTED WITH ROLLERS.
- HINGED TOP AND BOTTOM TRACKS HAVE GUSSET BRACES IN ALL CORNERS, AUTOMATIC HOLD UP ARM FOR TOP TRACK, RUBBER FLOOR RESTS FOR BOTTOM TRACK. GATE HAS SELF-LOCKING TIE BACK ARM.
- CABINETS CONSTRUCTED OF 13 GAUGE FORMED SHEET STEEL WITH 3/16" THICK COLD ROLLED DOORS AND FASCIA STRIPS.
- DOUBLE CYLINDER FOLDING GATE LOCK KEYED SAME AS CABINET LOCKS WITH STANDARD 1 5/32" DIAMETER MORTISED CYLINDERS.

CYLINDERS BY:ACORN OR OTHERS

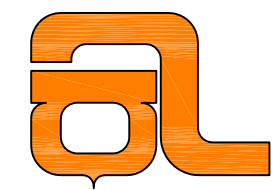


ELEVATION



VERTICAL SECTION A

THIS DRAWING IN DESIGN AND DETAIL IS OUR PROPERTY, AND MUST NOT BE USED EXCEPT IN CONNECTION WITH OUR WORK. ALL RIGHTS OF DESIGN OR INVENTION ARE RESERVED.



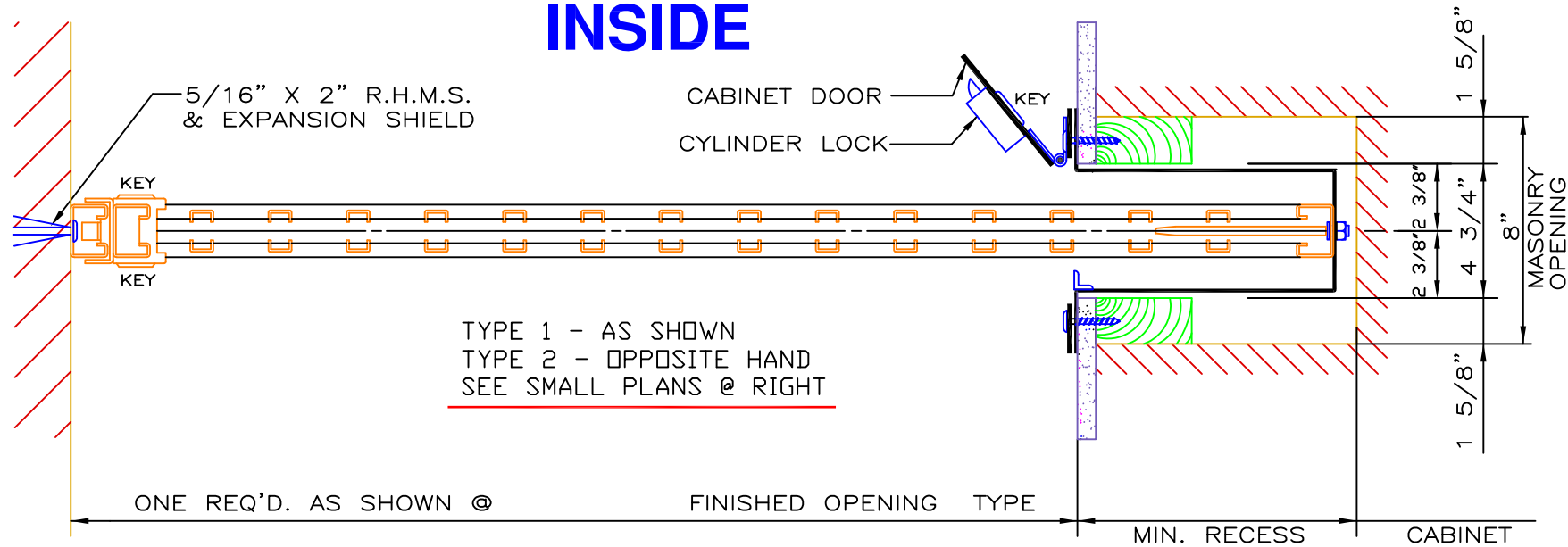
Chicago 312-243-6414
Acorn Wire + Iron Works
 2415 W. 21 Street Chicago, IL 60608

project _____
 location _____
 architect _____
 gen.contractor _____
 customer _____

product **STEEL FOLDING GATES**
 specification **MODEL 5762-D DEEP**
 material finish **POWDER COAT-**
 archt.-eng. drwg. ref. _____
 drawn by **ER** date _____
 revision _____

order no. _____
sheet no.
 1 of 1

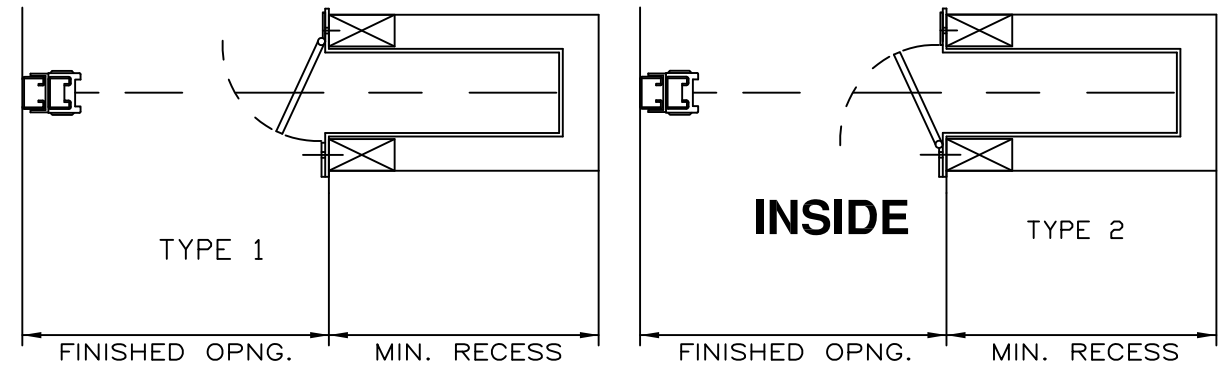
INSIDE



TYPE 1 - AS SHOWN
 TYPE 2 - OPPOSITE HAND
 SEE SMALL PLANS @ RIGHT

PLAN

INSIDE



WOOD BUCKS FURNISHED
 BY GENERAL CONTRACTOR
 SECURELY ANCHORED TO
 MASONRY.

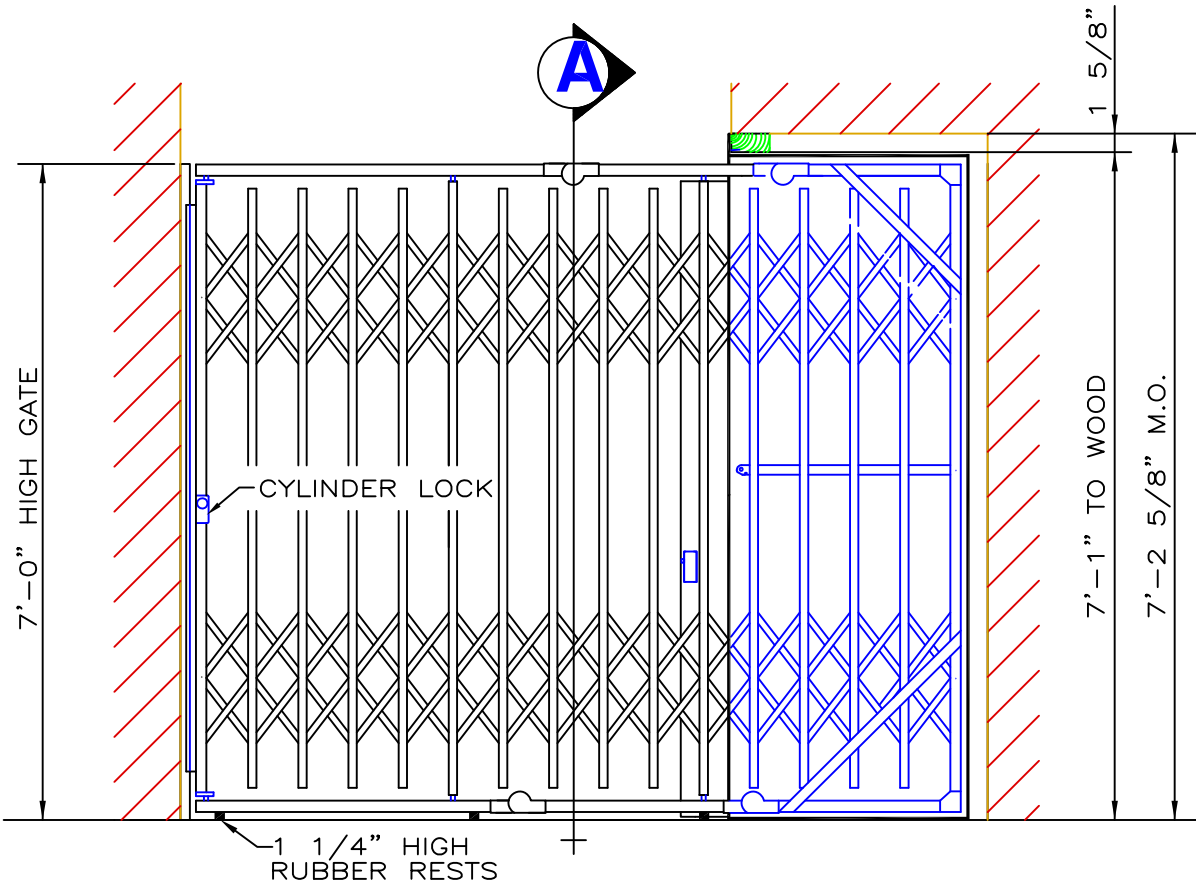
SPECIFICATIONS

ACORN 5762S FOLDING GATE

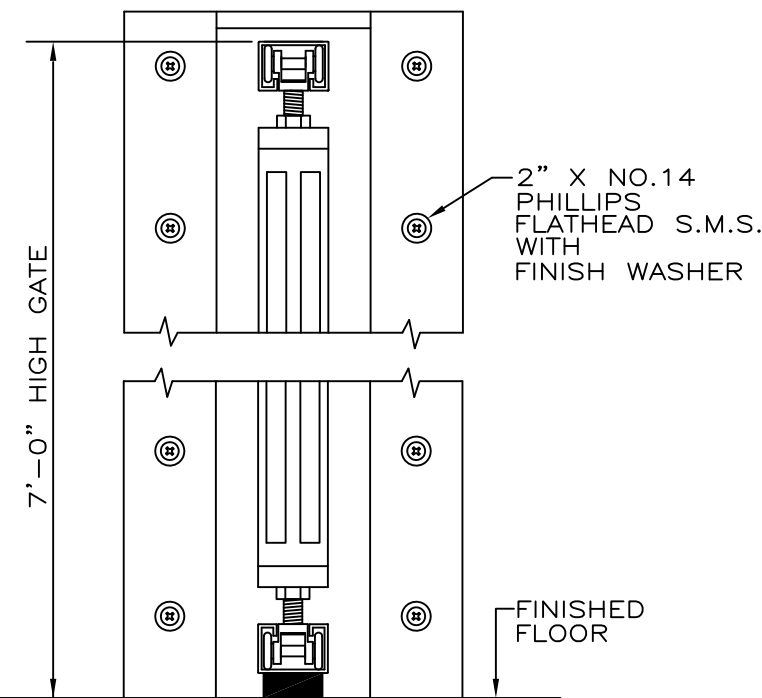
- VERTICAL MEMBERS ARE TWO 3/4" X 3/8" COLD ROLLED CHANNELS SPACED NOT OVER 6" ON CENTER.
- LATTICE BARS ARE 5/8" X 3/16" COLD ROLLED FLAT STEEL
TWO ROWS OF LATTICE FOR GATES 8'-0" HIGH OR LESS
- VERTICAL END BARS ARE COLD ROLLED BOX TYPE SECTIONS TO RECEIVE ROLLER BEARINGS AND CYLINDER LOCK.
- ALL MOVING PARTS ARE FITTED WITH ROLLERS.
- HINGED TOP AND BOTTOM TRACKS HAVE GUSSET BRACES IN ALL CORNERS, AUTOMATIC HOLD UP ARM FOR TOP TRACK, RUBBER FLOOR RESTS FOR BOTTOM TRACK. GATE HAS SELF-LOCKING TIE BACK ARM.
- CABINETS CONSTRUCTED OF 13 GAUGE FORMED SHEET STEEL WITH 3/16" THICK COLD ROLLED DOORS AND FASCIA STRIPS.
- DOUBLE CYLINDER FOLDING GATE LOCK KEYED SAME AS CABINET LOCKS WITH STANDARD 1 5/32" DIAMETER MORTISED CYLINDERS.

CYLINDERS BY: ACORN

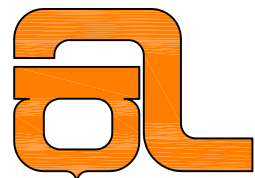
THIS DRAWING IN DESIGN AND DETAIL IS OUR PROPERTY, AND MUST NOT BE USED EXCEPT IN CONNECTION WITH OUR WORK. ALL RIGHTS OF DESIGN OR INVENTION ARE RESERVED.



ELEVATION



VERTICAL SECTION A



Chicago 312-243-6414
Acorn Wire + Iron Works
 2415 W. 21 Street Chicago, IL 60608

project _____
 location _____
 architect _____
 gen.contractor _____
 customer _____

product **STEEL FOLDING GATES**
 specification **MODEL 5762-S DEEP**
 material finish **POWDER COAT-**
 archt-eng. drwg. ref. _____
 drawn by **ER** date _____
 revision _____

order no. _____
sheet no.
 1 of 1