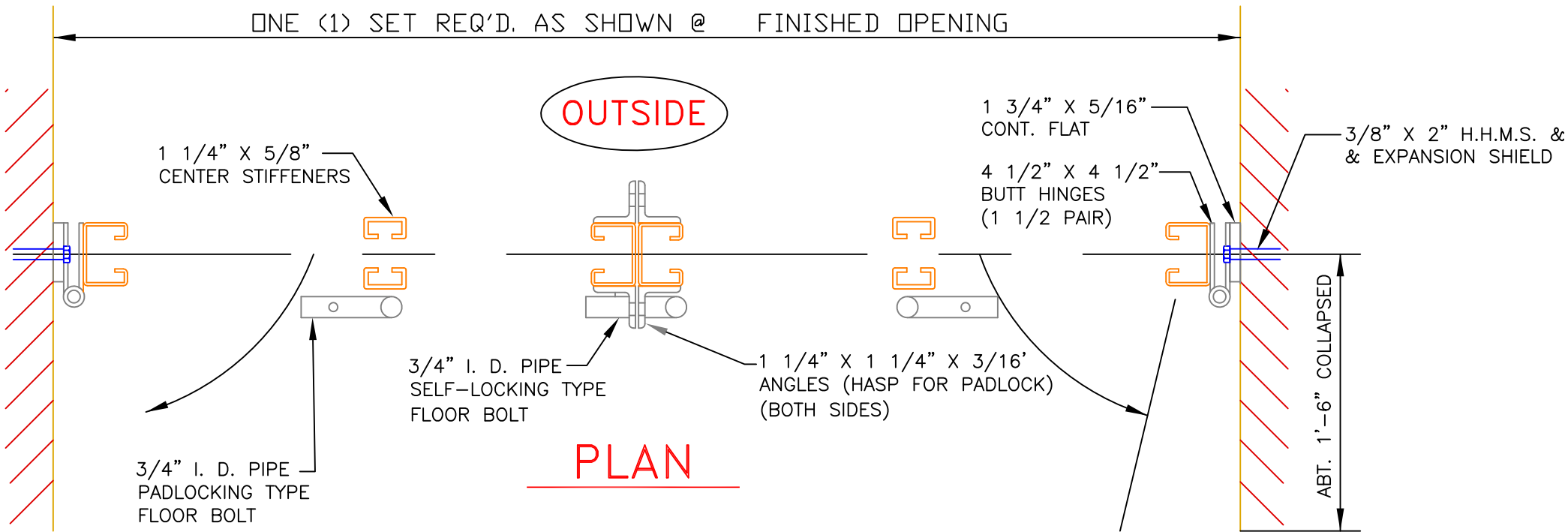


ONE (1) SET REQ'D. AS SHOWN @ FINISHED OPENING



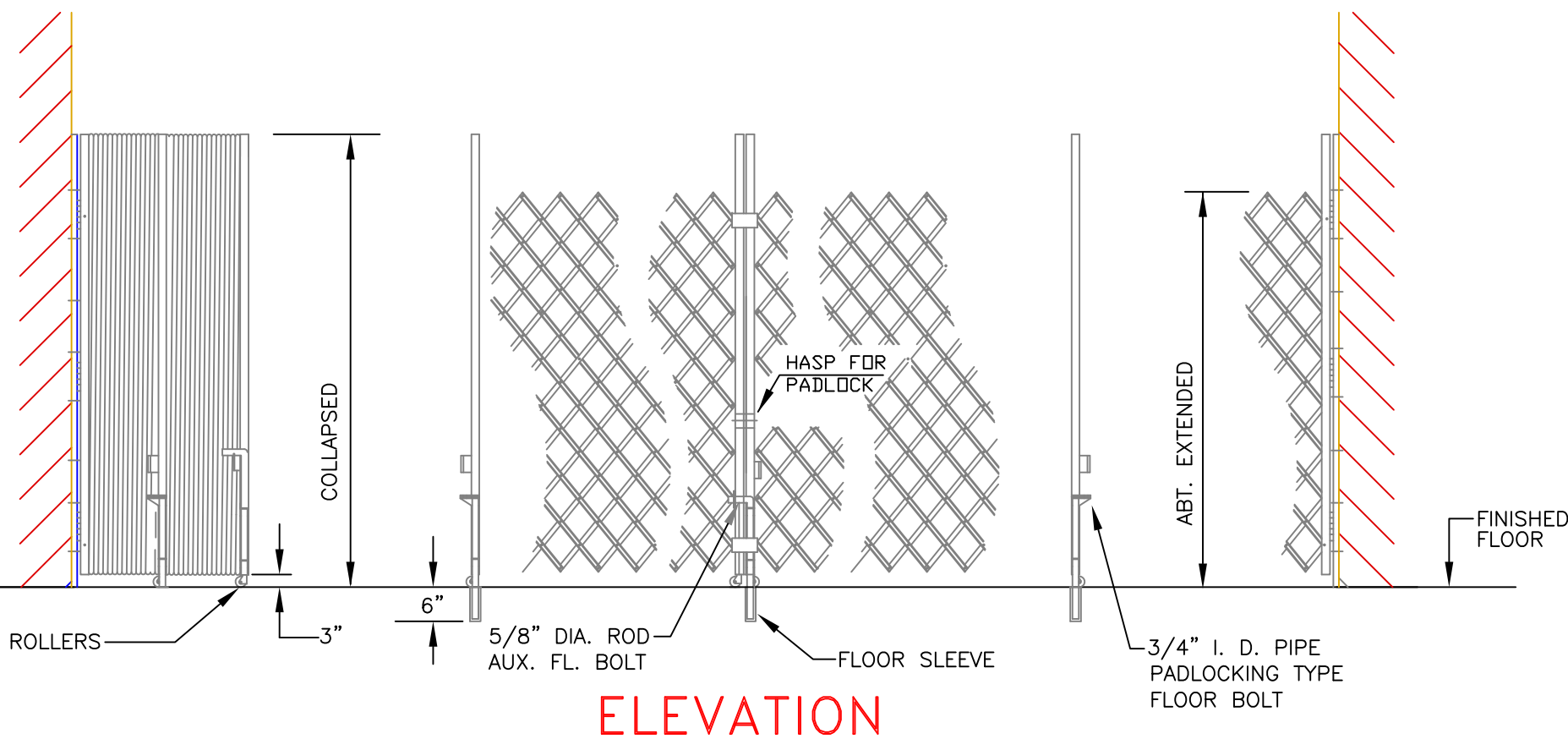
NOTE:
THIS DRAWING DOES NOT SHOW WALL BASES. IF THEY EXIST PLEASE MARK IN THE HEIGHT AND PROJECTION.

SPECIFICATIONS

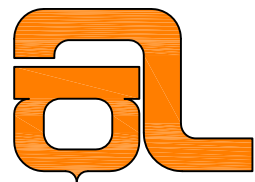
ACORN 5641D FOLDING GATE

- CONSTRUCTED OF 3/4" X 3/8" COLD ROLLED CHANNELS RIVETED BACK TO BACK NOT OVER 6" ON CENTER.
- VERTICAL END BARS ARE COLD ROLLED BOX TYPE SECTIONS TO RECEIVE ROLLER BEARINGS.
- ALL MOVING PARTS ARE FITTED WITH ROLLERS.
- GATE SHALL BE EQUIPPED WITH HASP FOR PADLOCK.

HASP FOR PADLOCK BY: ACORN
PADLOCK BY: OTHERS



THIS DRAWING IN DESIGN AND DETAIL IS OUR PROPERTY AND MUST NOT BE USED EXCEPT IN CONNECTION WITH OUR WORK. ALL RIGHTS OF DESIGN OR INVENTION ARE RESERVED.

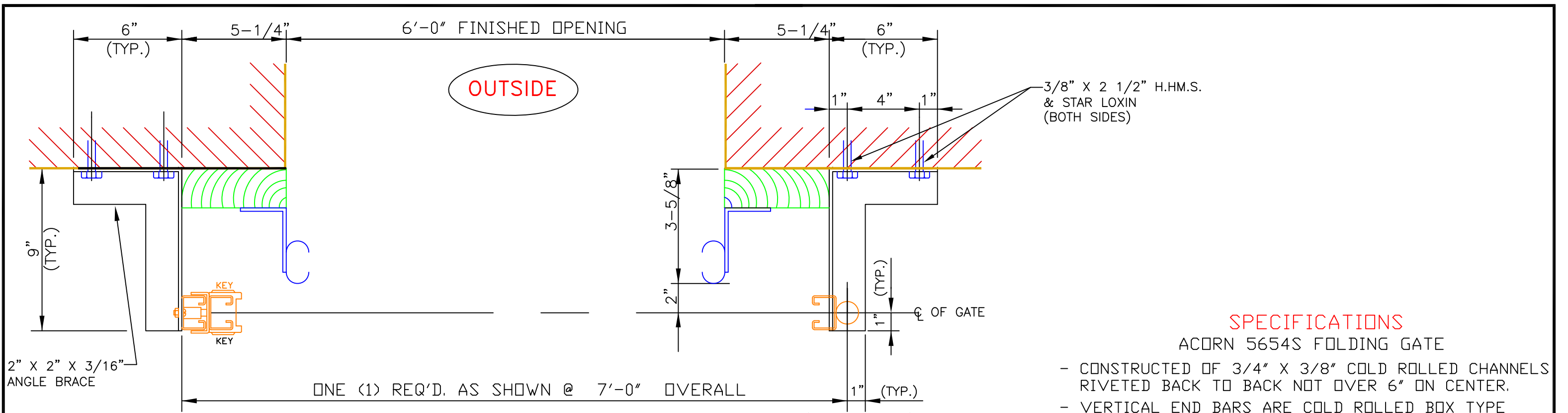


Chicago **312-243-6414**
Acorn Wire + Iron Works
2415 W. 21 Street Chicago, IL 60608

project _____
location _____
architect _____
gen.contractor _____
customer _____

product **STEEL FOLDING GATES**
specification **MODEL 5641-D**
material finish **POWDER COAT-**
archt.-eng. drwg. ref. _____
drawn by **ER** date _____
revision _____

order no. _____
sheet no.
1 of **1**



PLAN

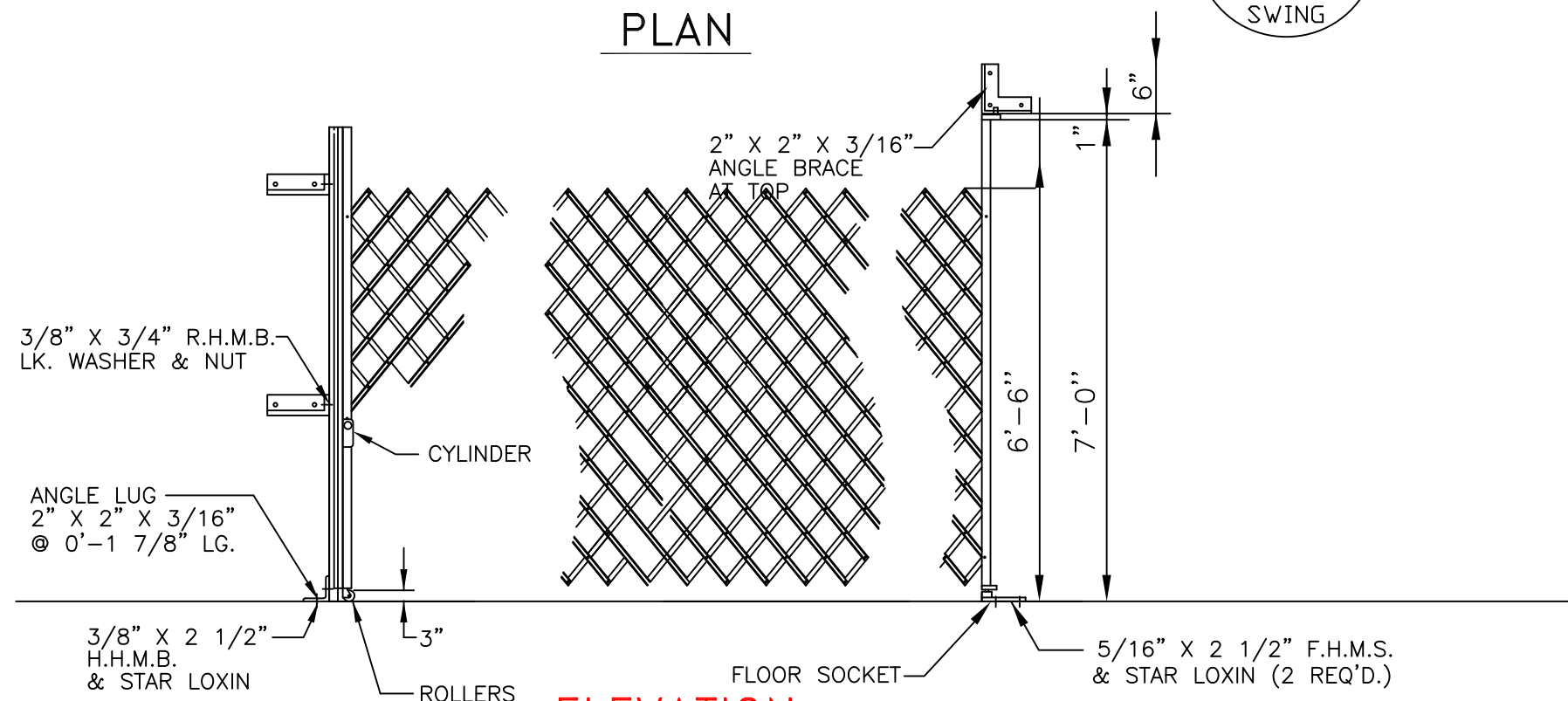
SPECIFICATIONS

ACORN 5654S FOLDING GATE

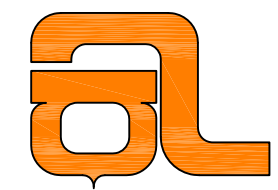
- CONSTRUCTED OF 3/4" X 3/8" COLD ROLLED CHANNELS RIVETED BACK TO BACK NOT OVER 6" ON CENTER.
- VERTICAL END BARS ARE COLD ROLLED BOX TYPE SECTIONS TO RECEIVE ROLLER BEARINGS.
- ALL MOVING PARTS ARE FITTED WITH ROLLERS.
- GATE SHALL BE EQUIPPED WITH CYLINDER.

STANDARD CYLINDER BY ACORN

THIS DRAWING IN DESIGN AND DETAIL IS OUR PROPERTY AND MUST NOT BE USED EXCEPT IN CONNECTION WITH OUR WORK. ALL RIGHTS OF DESIGN OR INVENTION ARE RESERVED.



ELEVATION

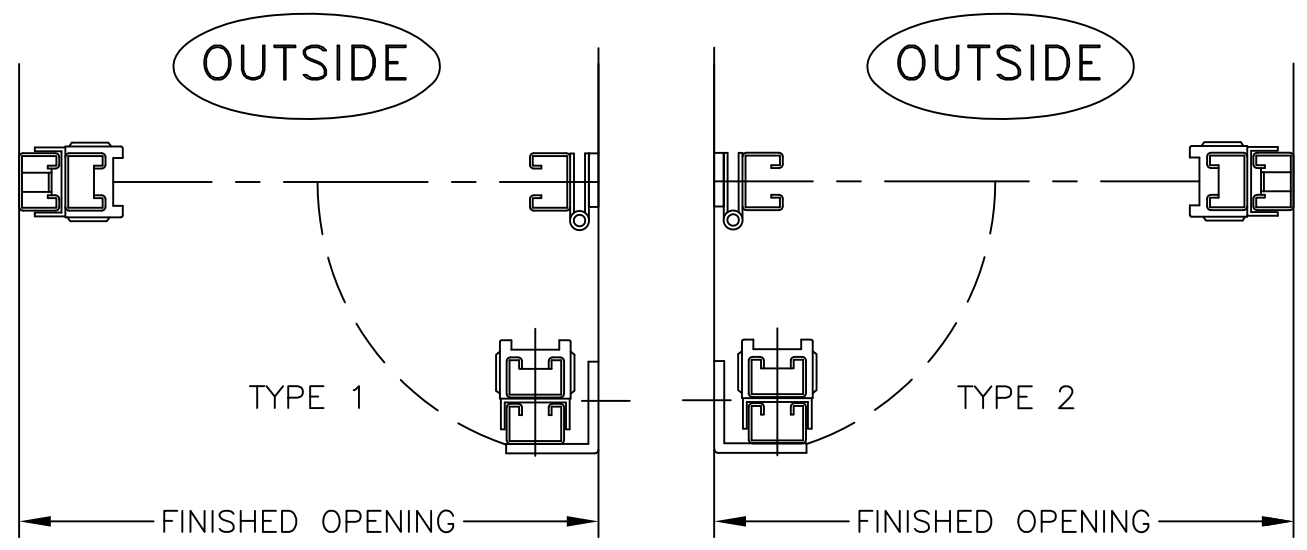
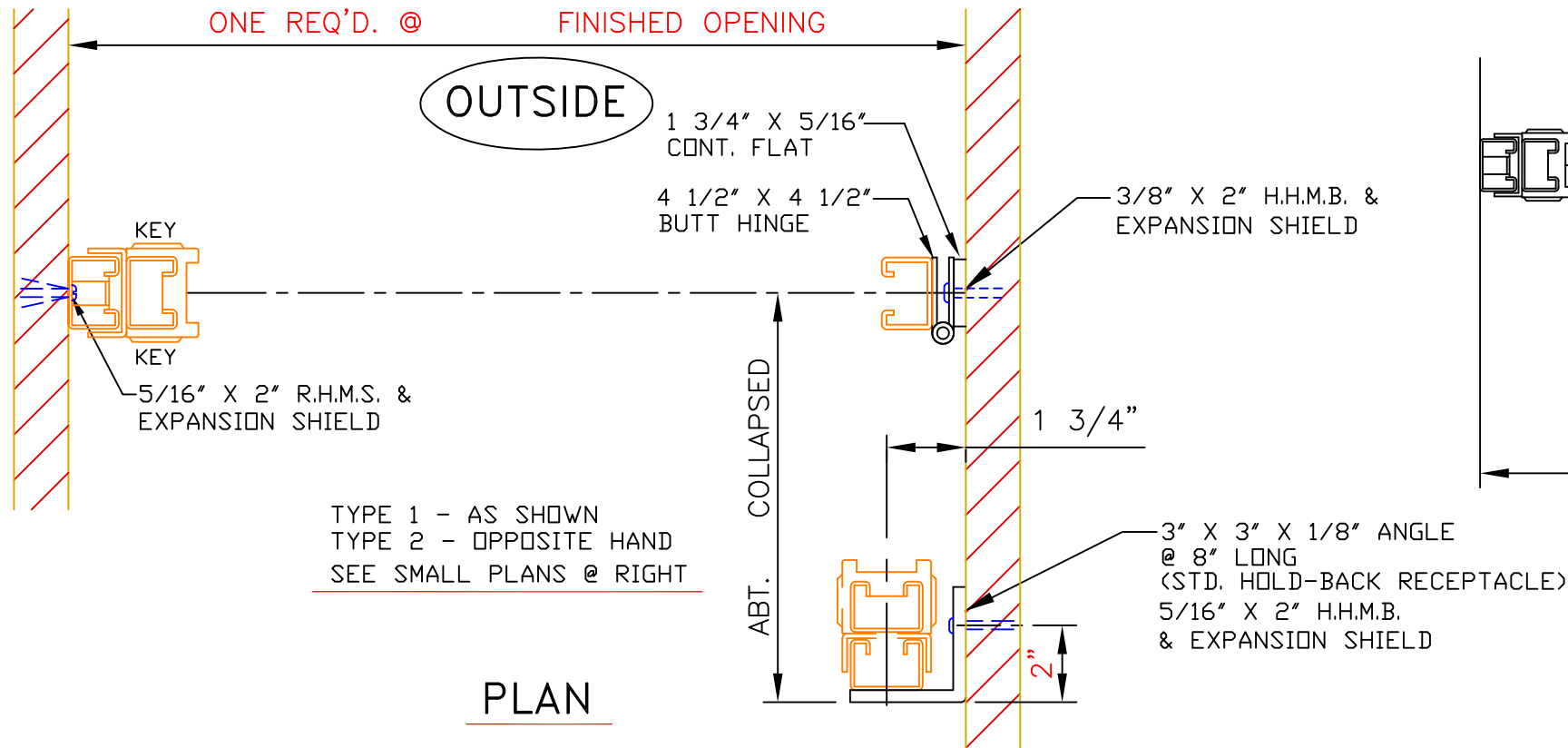


Chicago 312-243-6414
Acorn Wire + Iron Works
 2415 W. 21 Street Chicago, IL 60608

project _____
 location _____
 architect _____
 gen.contractor _____
 customer _____

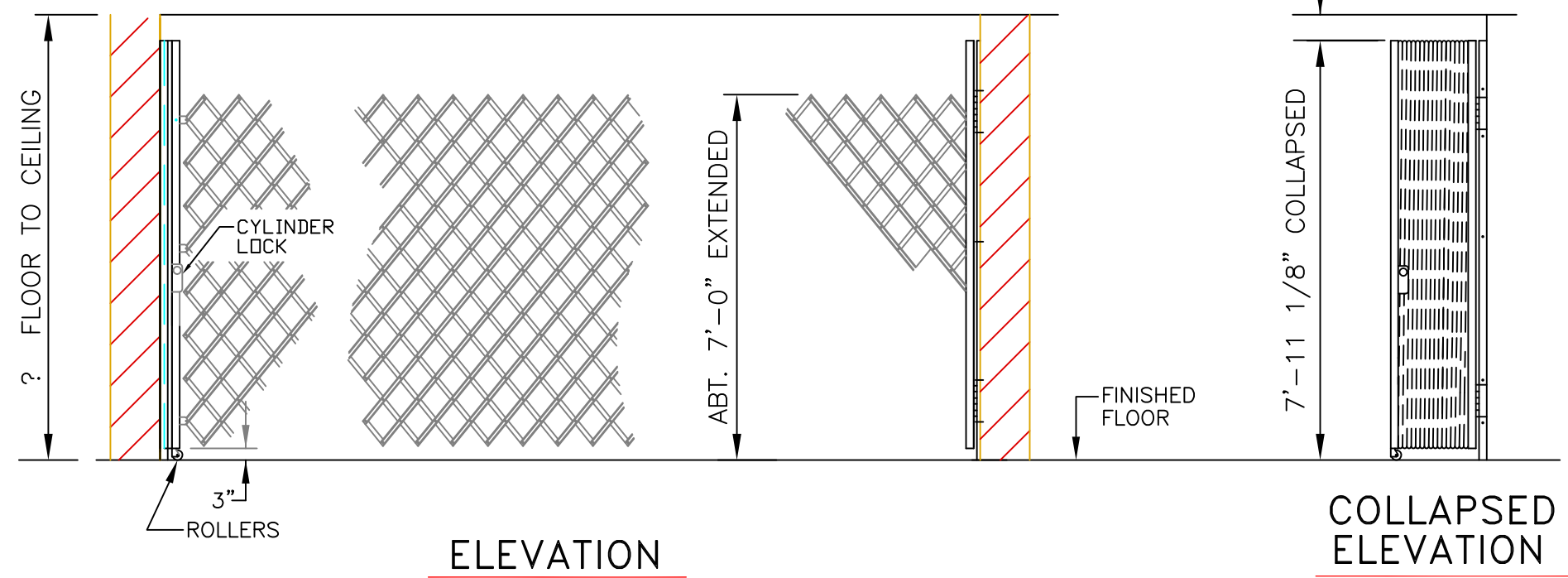
product **STEEL FOLDING GATES**
 specification **MODEL 5654-S BRACKET**
 material finish **POWDER COAT-**
 archt-eng. drwg. ref. _____
 drawn by **ER** date _____
 revision _____

order no. _____
 sheet no. **1** of **1**



NOTE:
THIS DRAWING DOES NOT
SHOW WALL BASES. IF
THEY EXIST PLEASE
MARK IN THE HEIGHT
AND PROJECTION.

PLAN



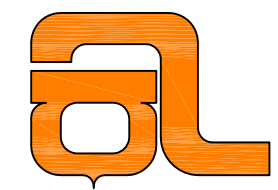
- SPECIFICATIONS**
ACORN 5654S FOLDING GATE
- CONSTRUCTED OF 3/4" X 3/8" COLD ROLLED CHANNELS RIVETED BACK TO BACK NOT OVER 6" ON CENTER.
 - VERTICAL END BARS ARE COLD ROLLED BOX TYPE SECTIONS TO RECEIVE ROLLER BEARINGS.
 - ALL MOVING PARTS ARE FITTED WITH ROLLERS.
 - DOUBLE CYLINDER FOLDING GATE LOCK HAS STANDARD 1-5/32" DIAMETER MORTISE CYLINDERS.

CYLINDERS BY: ACORN

THIS DRAWING IN DESIGN AND DETAIL IS OUR PROPERTY AND MUST NOT BE USED EXCEPT IN CONNECTION WITH OUR WORK. ALL RIGHTS OF DESIGN OR INVENTION ARE RESERVED.

ELEVATION

COLLAPSED ELEVATION



Chicago 312-243-6414
Acorn Wire + Iron Works
2415 W. 21 Street Chicago, IL 60608

project _____
location _____
architect _____
gen.contractor _____
customer _____

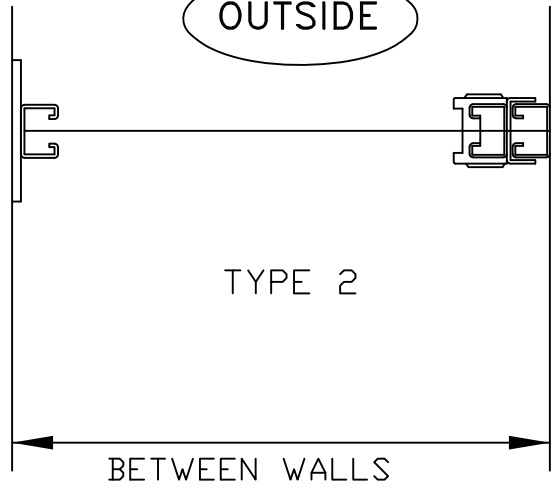
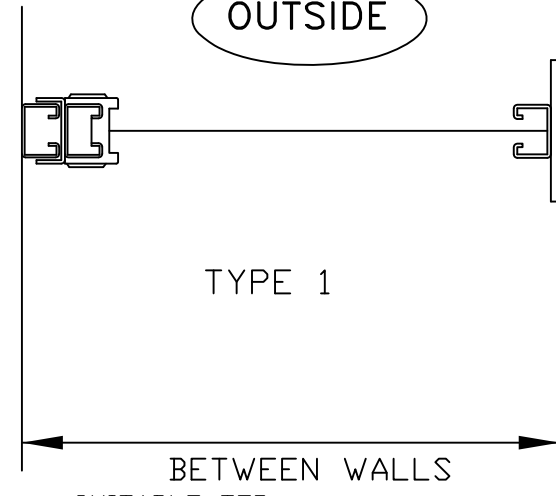
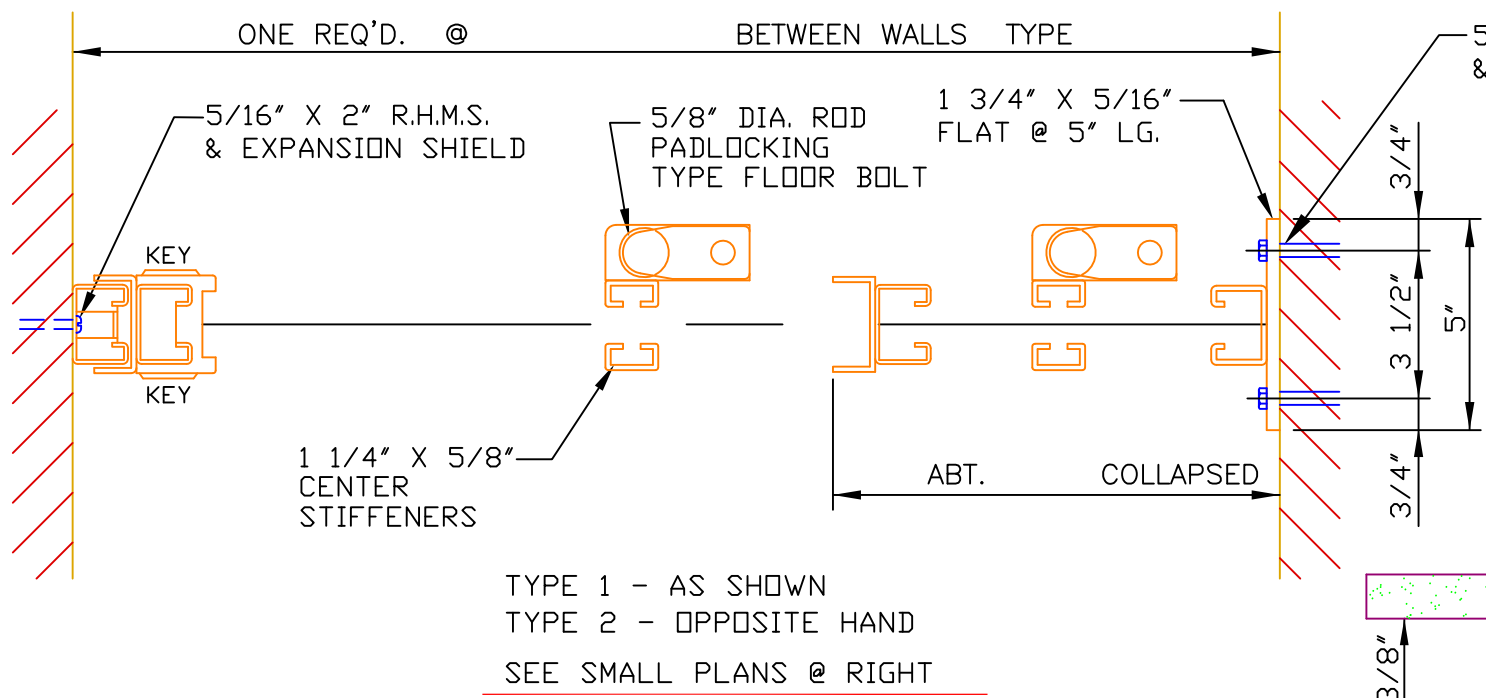
product **STEEL FOLDING GATES**
specification **MODEL 5654-S**
material finish **POWDER COAT-**
archt-eng. drwg. ref. _____
drawn by **ER** date _____
revision _____

order no. _____
sheet no.
1 of **1**

OUTSIDE

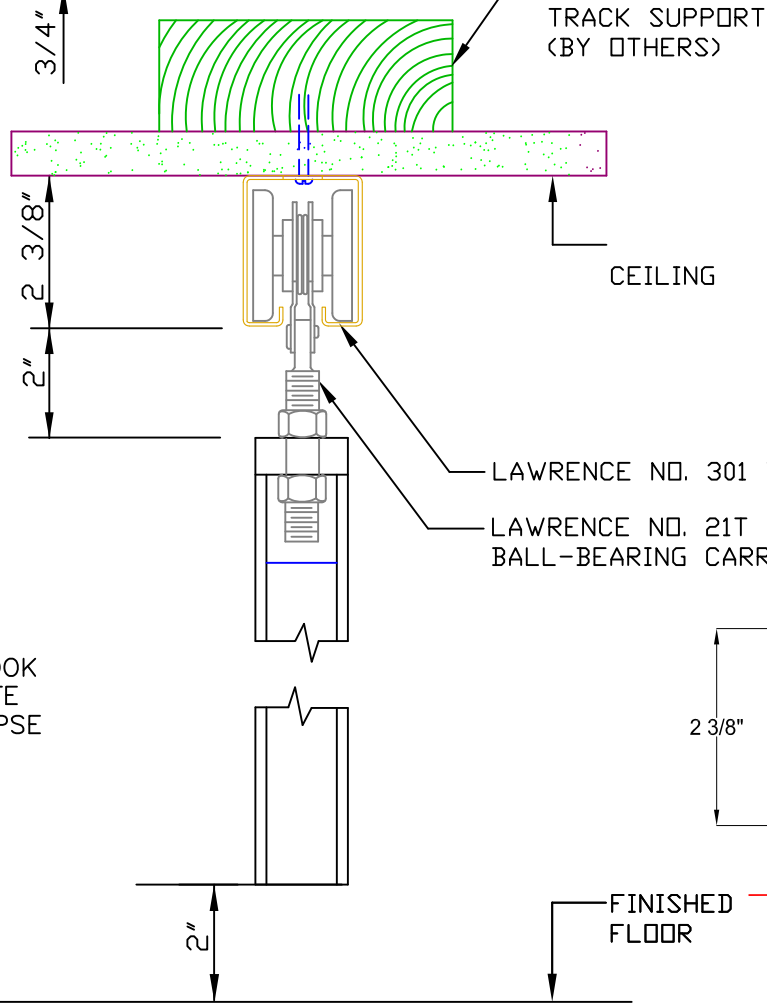
OUTSIDE

OUTSIDE



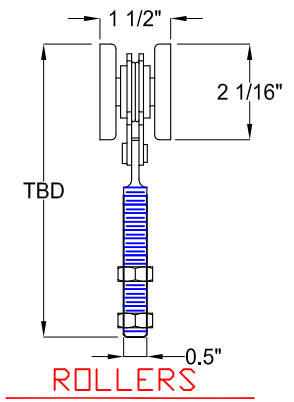
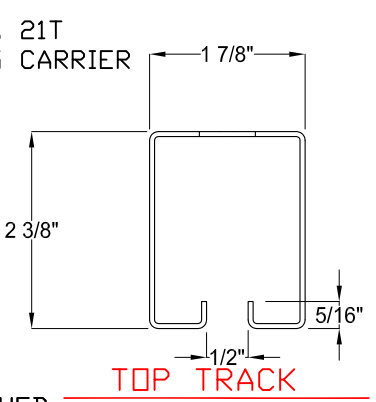
TYPE 1 - AS SHOWN
 TYPE 2 - OPPOSITE HAND
 SEE SMALL PLANS @ RIGHT

PLAN

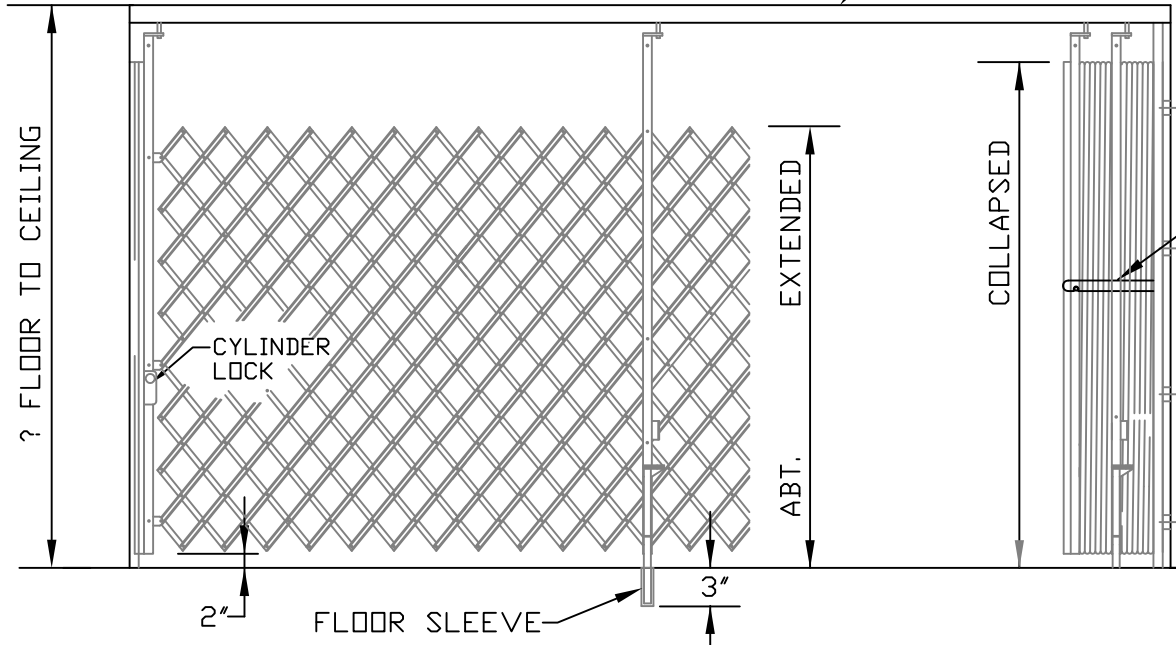


- SPECIFICATIONS**
 ACORN 5649S FOLDING GATE
- CONSTRUCTED OF 3/4" X 3/8" COLD ROLLED CHANNELS RIVETED BACK TO BACK NOT OVER 6" ON CENTER.
 - VERTICAL END BARS ARE COLD ROLLED BOX TYPE SECTIONS TO RECEIVE ROLLER BEARINGS.
 - ALL MOVING PARTS ARE FITTED WITH ROLLERS.
 - LAWRENCE NO. 301 TRACK 1 7/8" X 2 3/8"
 - DOUBLE CYLINDER FOLDING GATE LOCK HAS STANDARD 1-5/32" DIAMETER MORTISE CYLINDERS.

CYLINDERS BY: OTHERS



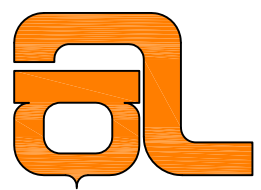
NOTE:
 GATE WEIGHS ABOUT 3 1/2 LBS. PER SQUARE FOOT.
 ERECTOR MUST PROVIDE SUITABLE TOP TRACK SUPPORT.



ELEVATION

VERTICAL ELEVATION

THIS DRAWING IN DESIGN AND DETAIL IS OUR PROPERTY AND MUST NOT BE USED EXCEPT IN CONNECTION WITH OUR WORK. ALL RIGHTS OF DESIGN OR INVENTION ARE RESERVED.



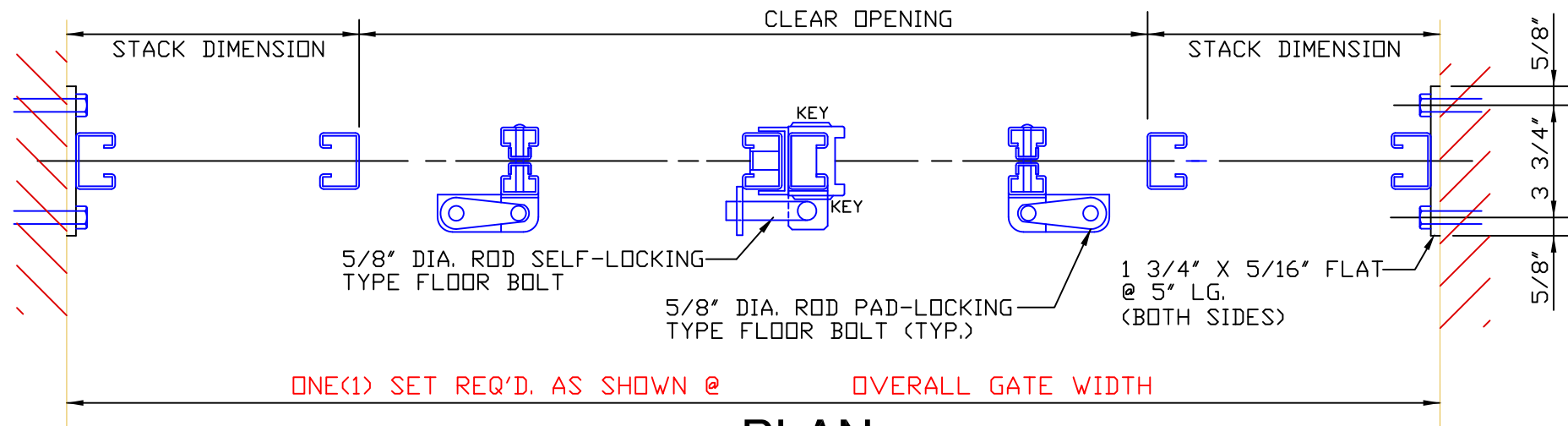
Chicago 312-243-6414
Acorn Wire + Iron Works
 2415 W. 21 Street Chicago, IL 60608

project _____
 location _____
 architect _____
 gen.contractor _____
 customer _____

product **STEEL FOLDING GATES**
 specification **MODEL 5649-S**
 material finish **POWDER COAT-**
 archt-eng. drwg. ref. _____
 drawn by **ER** date _____
 revision _____

order no. _____
sheet no.
 1 of 1

**SECURED AREA
INSIDE**



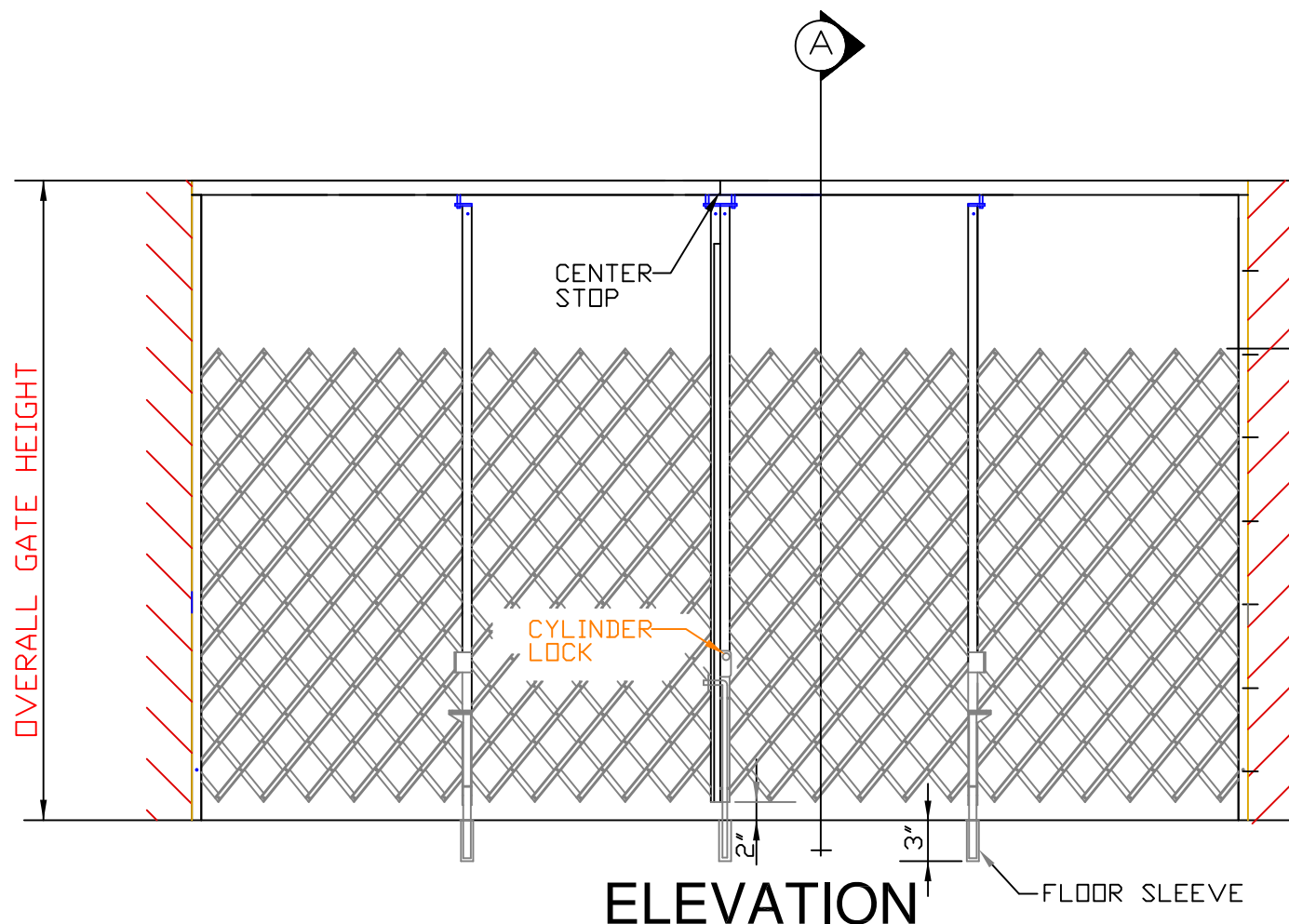
PLAN

SPECIFICATIONS

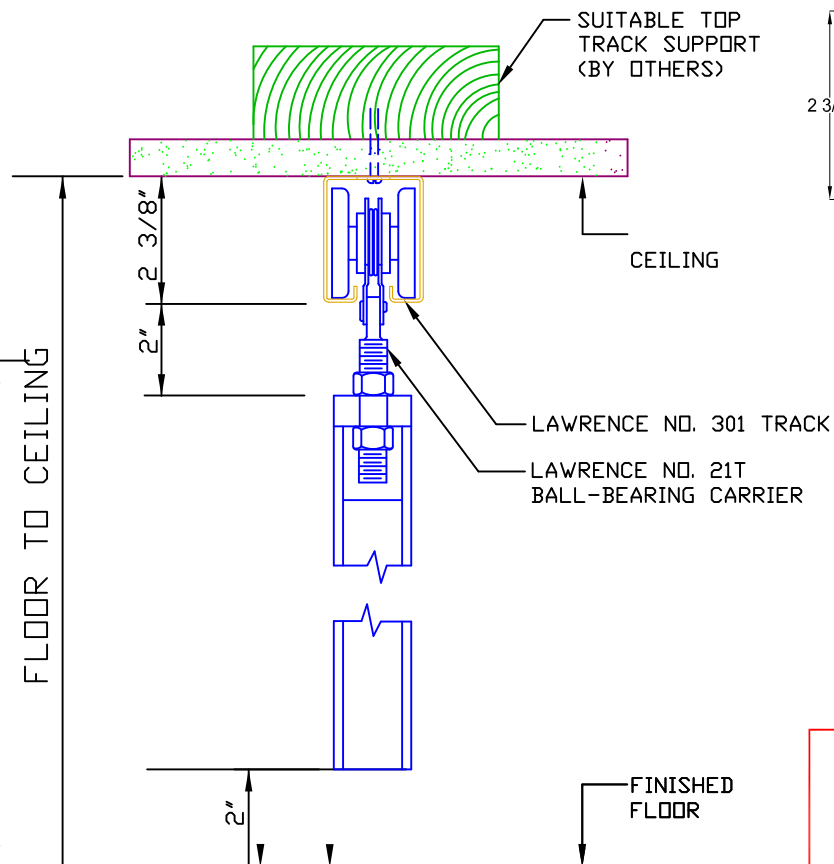
ACORN 5649D FOLDING GATE

- CONSTRUCTED OF 3/4" X 3/8" COLD ROLLED CHANNELS RIVETED BACK TO BACK NOT OVER 6" ON CENTER.
- VERTICAL END BARS ARE COLD ROLLED BOX TYPE SECTIONS TO RECEIVE ROLLER BEARINGS AND CYLINDER LOCK.
- ALL MOVING PARTS ARE FITTED WITH ROLLERS
- LAWRENCE NO. 301 TRACK 1 7/8" X 2 3/8".
- DOUBLE CYLINDER FOLDING GATE LOCK HAS STANDARD 1 5/32" DIAMETER MORTISE CYLINDERS.

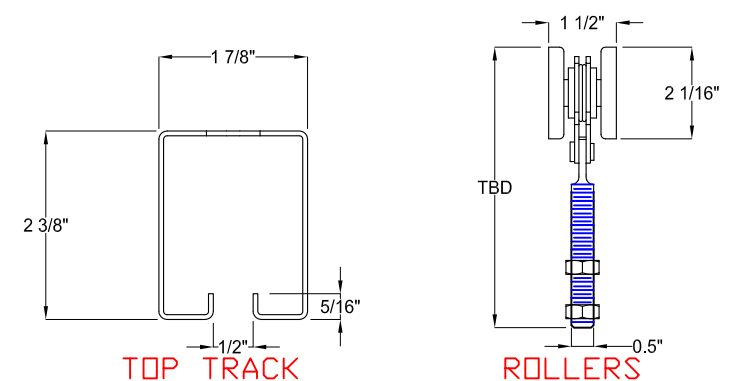
CYLINDERS BY: ACORN OR OTHERS



ELEVATION



VERTICAL SECTION A

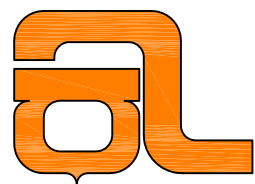


★ **NOTE:**

GATE WEIGHS ABOUT 3 1/2 LBS. PER SQUARE FOOT.

ERECTOR:
MUST PROVIDE SUITABLE TOP TRACK SUPPORT.

THIS DRAWING IN DESIGN AND DETAIL IS OUR PROPERTY, AND MUST NOT BE USED EXCEPT IN CONNECTION WITH OUR WORK. ALL RIGHTS OF DESIGN OR INVENTION ARE RESERVED.



Chicago 312-243-6414

Acorn Wire + Iron Works
2415 W. 21 Street Chicago, IL 60608

project _____
location _____
archllct _____
gen.contractor _____
customer _____

product **STEEL FOLDING GATES**
specification **MODEL 5649-D**
material finish **POWDER COAT-**
archt.-eng. drwg. ref. _____
drawn by **ER** date _____
revision _____

order no.

sheet no.

1 of 1