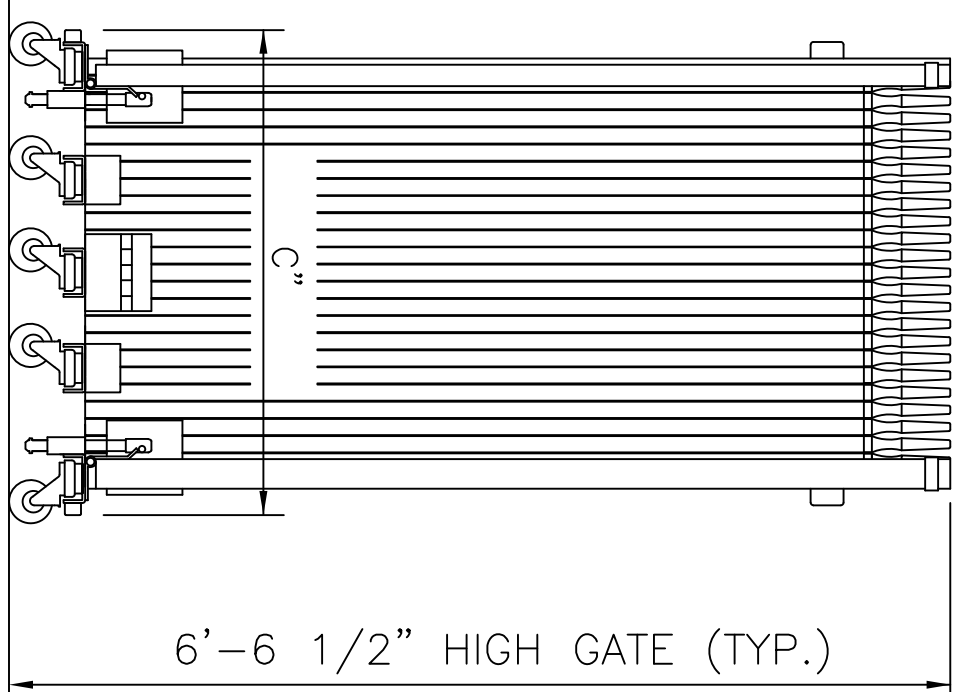
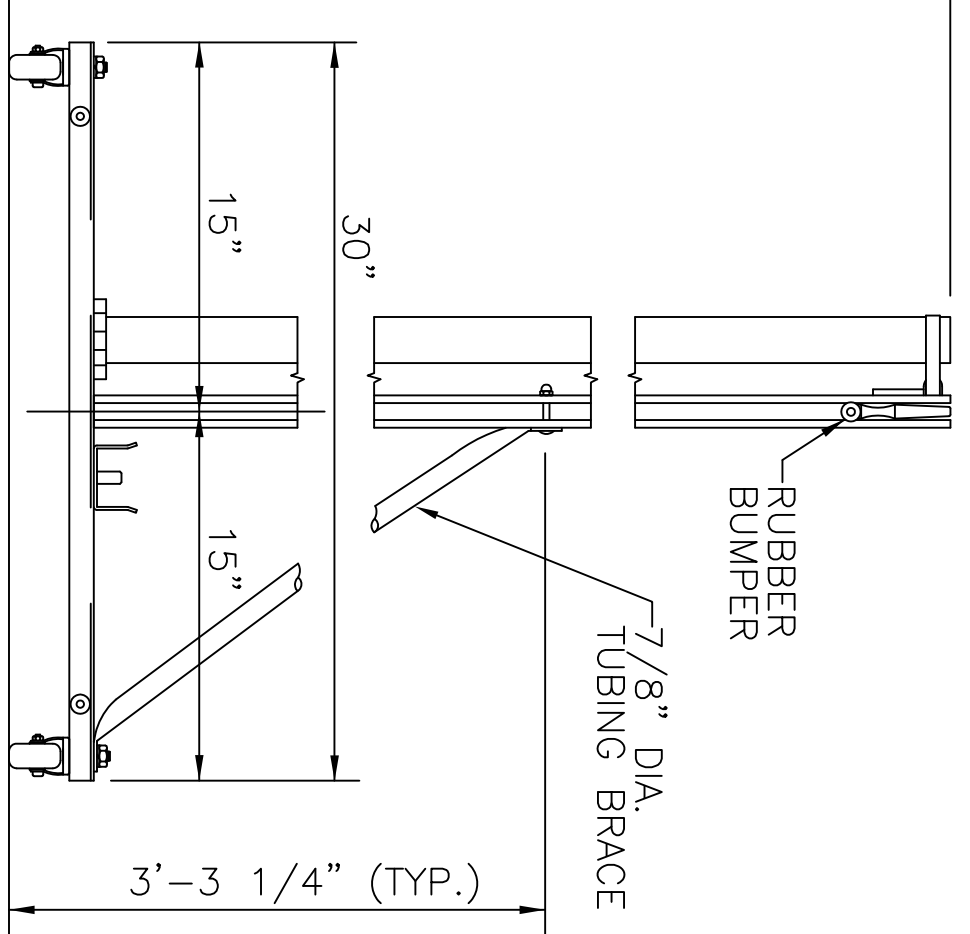


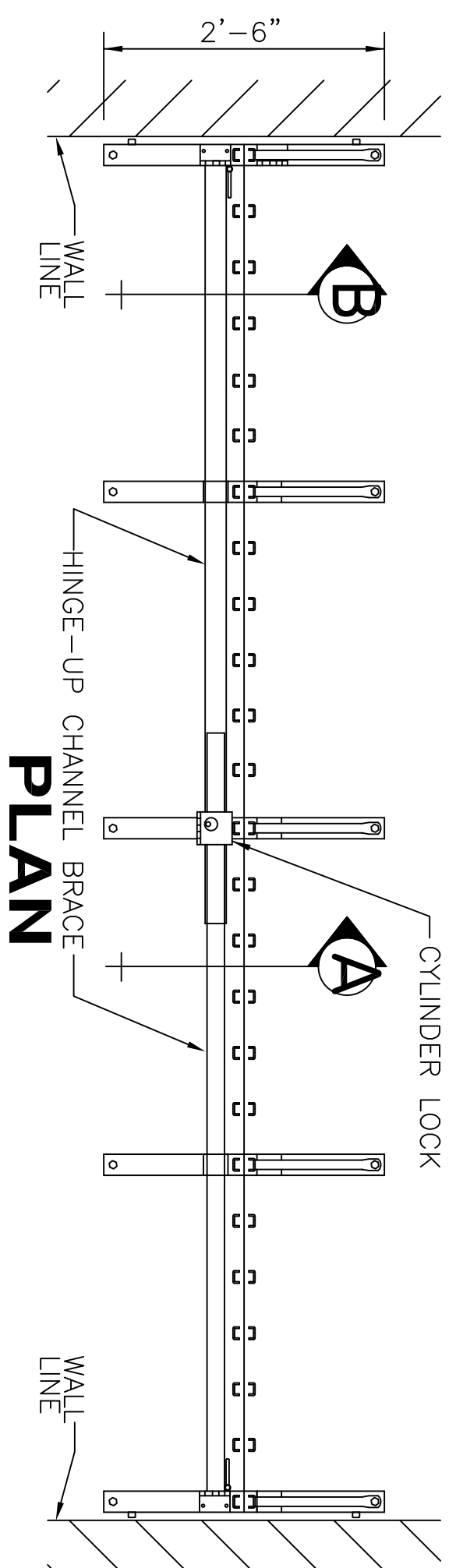
ELEVATION



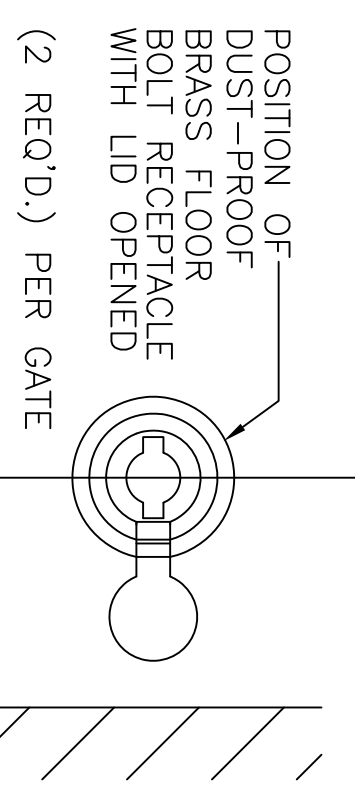
COLLAPSED ELEVATION



END ELEVATION



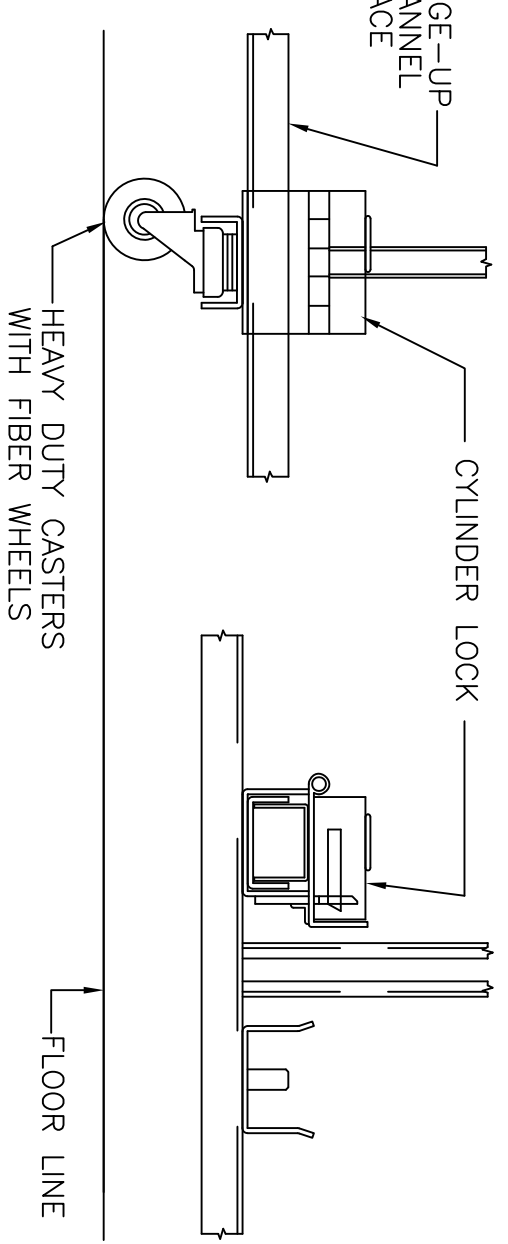
PLAN



THIS DRAWING IN DESIGN AND DETAIL IS OUR PROPERTY, AND MUST NOT BE USED EXCEPT IN CONNECTION WITH OUR WORK. ALL RIGHTS OF DESIGN OR INVENTION ARE RESERVED.

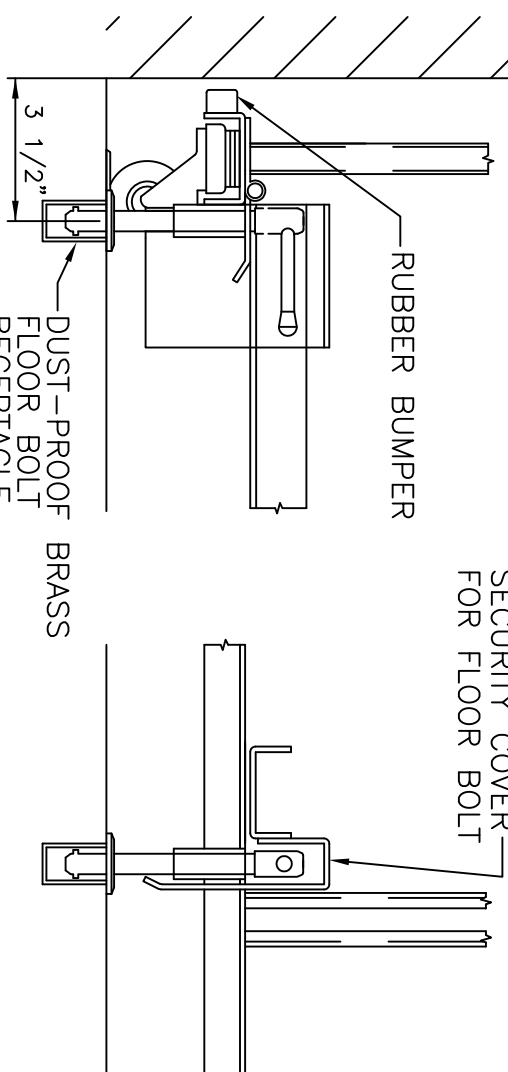
LOCKING OPTIONS:

OPTION 1: CYLINDER



DETAIL 1

SECTION A

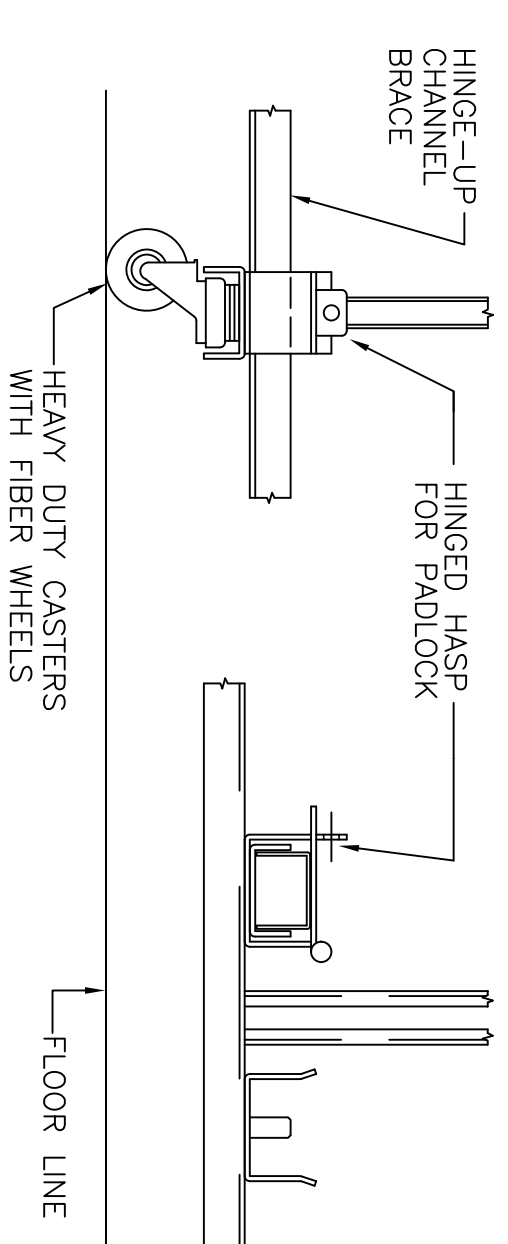


DETAIL 2

SECTION B

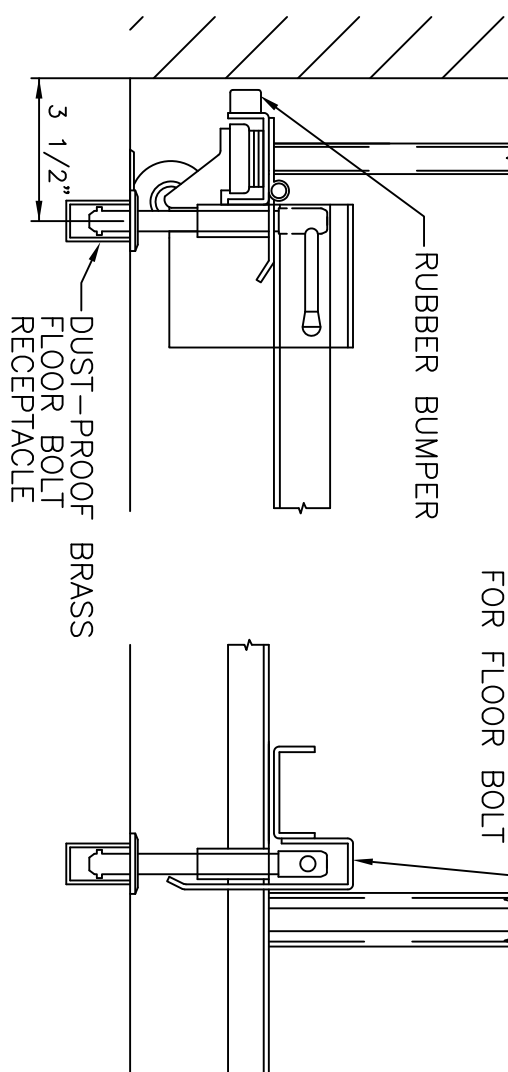
- GATE LOCK REQUIRES 1-5/32" DIAMETER MORTISE CYLINDER. CYLINDERS BY: ACORN

OPTION 2: HASP



DETAIL 1

SECTION A

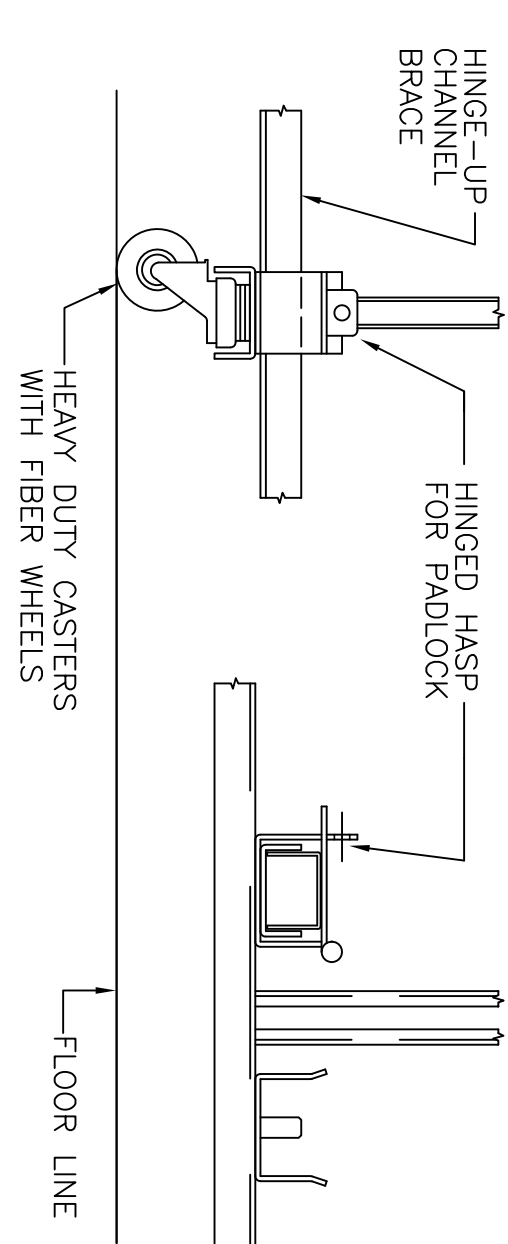


DETAIL 2

SECTION B

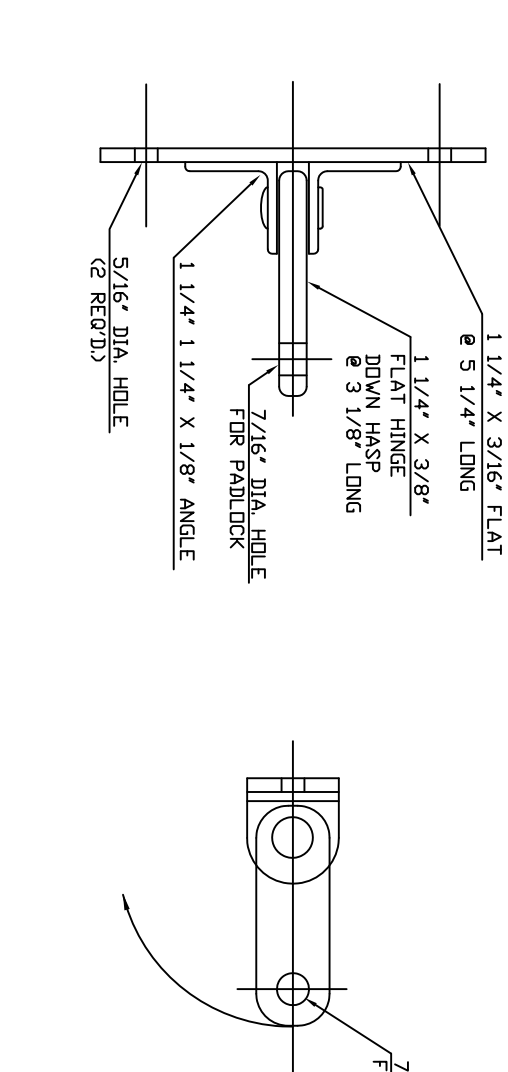
- GATE SHALL BE EQUIPPED WITH HASP FOR PADLOCK. PADLOCK BY: OTHERS

OPTION 3: WALL HASP



DETAIL 1

SECTION A



DETAIL 2

SECTION B

- GATE SHALL BE EQUIPPED WITH HASP FOR PADLOCK. PADLOCK BY: OTHERS

FOR CORRIDOR	STACKING SPACE IN INCHES	WEIGHT IN LBS.
	C X D	
6-9 FT.	18" X 30"	210
7-12 FT.	22" X 30"	259
11-15 FT.	27" X 30"	320
13-18 FT.	32" X 30"	360
14-21 FT.	36" X 30"	430
14-24 FT	40" X 30"	518

SPECIFICATIONS

- ACORN 57P PORTABLE FOLDING GATE
- VERTICAL MEMBERS ARE TWO 3/4" X 3/8" COLD ROLLED CHANNELS SPACED NOT OVER 6" ON CENTER.
- LATTICE BARS ARE 5/8" X 3/16" COLD ROLLED FLAT STEEL. TWO ROWS OF LATTICE FOR GATES.
- ALL MOVING PARTS ARE FITTED WITH ROLLERS.
- PLATFORM FRAMES SHALL BE 2-1/4" X 1" COLD ROLLED CHANNEL.
- PLATFORM BRACES SHALL BE 7/8", 14 GAUGE TUBING, SECURELY BOLTED THROUGH GATE AND PLATFORM.
- DISTANCE BETWEEN LATTICE BARS PLUS SPEAR TOPS ON GATE PREVENT CLIMBING.
- TWO BRASS DUST-PROOF RECEPTACLES ARE REQUIRED IN FLOOR FOR INSTALLATION AT EACH LOCATION.



Chicago
Phone: (800) 552-2676
Fax: (888) 452-2676
Acorn Wire and Iron Works
 2415 W. 21 Street Chicago, IL 60608

Project _____
Location _____
Architect _____
Gen. Contractor _____
customer _____

Product STEEL FOLDING GATE
Specification MODEL 57-P
Material Finish ELECTRO-GALVANIZED
Arch.-Eng. Drwg. Ref. _____
Drawn By ER **Date** _____
Revision _____

Order No.
57-P
Sheet No.
 _____ of _____