

Chicago 312-243-6414

Acorn Wire + Iron Works
2415 W. 21 Street Chicago, IL 60608

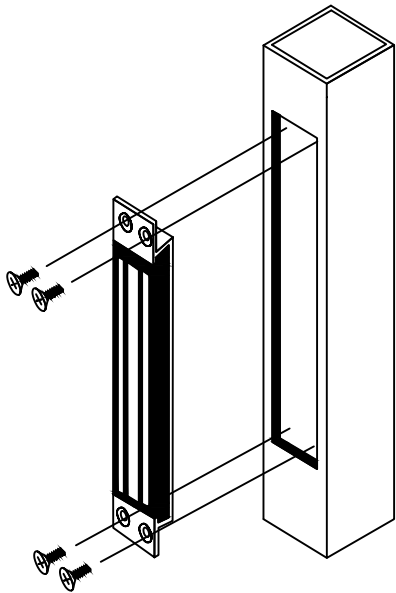
project _____
 location _____
 architect _____
 gen.contractor _____
 customer _____

product **STEEL FOLDING GATES**
 specification **MODEL 5748-S**
 material finish **POWDER COAT-**
 archt.-eng. drwg. ref. _____
 drawn by **ER** date _____
 revision _____

order no. _____

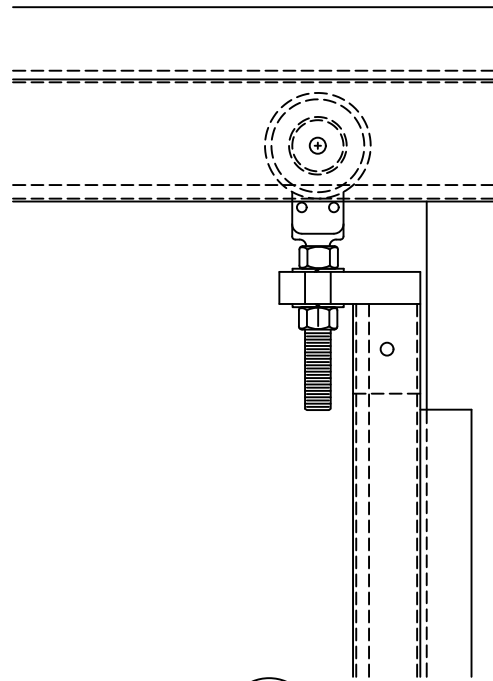
sheet no. _____

1 of **1**



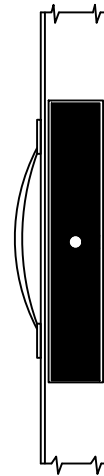
1

1 3/4" x 1 3/4" Pre Prepped Locking Bar



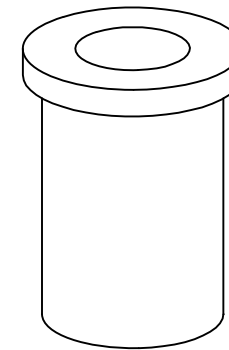
2

Adjustable HD Track Rollers



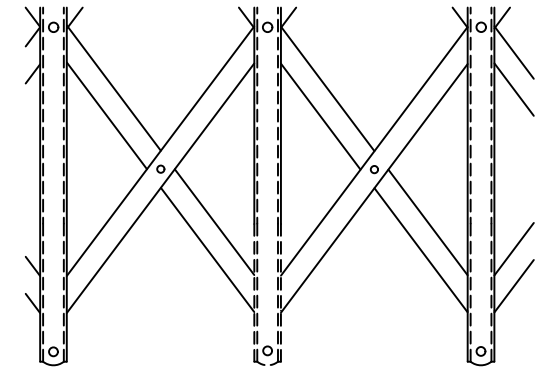
3

Tamper Proof Armature Recess



4

Optional Dust Proof Strike for Drop Pin



5

Easily Sliding Cross Bars Mounted in HD vertical Channel



Chicago 312-243-6414
Acorn Wire + Iron Works
 2415 W. 21 Street Chicago, IL 60608

project _____
 location _____
 architect _____
 gen.contractor _____
 customer _____

product **STEEL FOLDING GATES**
 specification **MODEL 5748-S**
 material finish **POWDER COAT-**
 archt.-eng. drwg. ref. _____
 drawn by **ER** date _____
 revision _____

order no. _____
sheet no.
 1 of 1