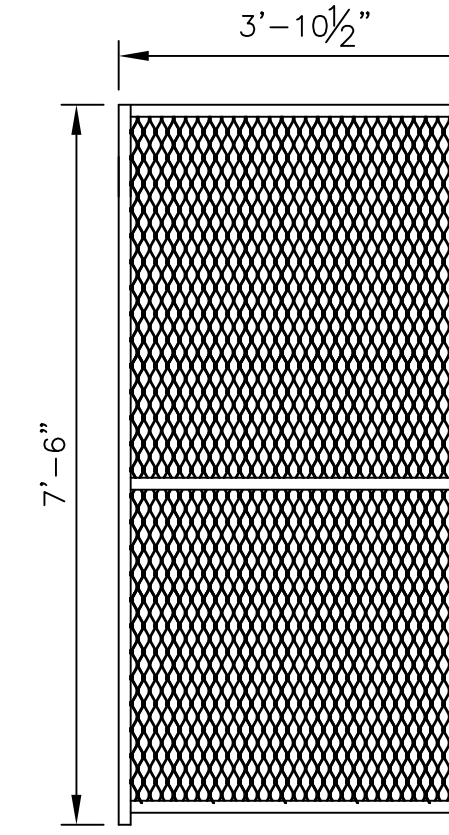
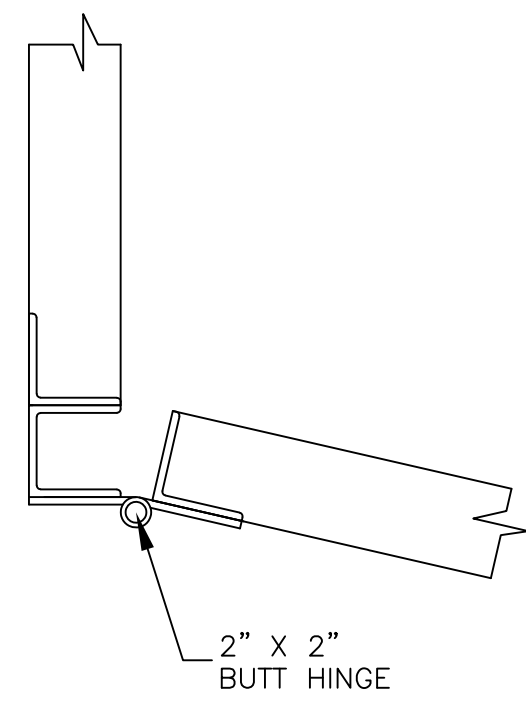


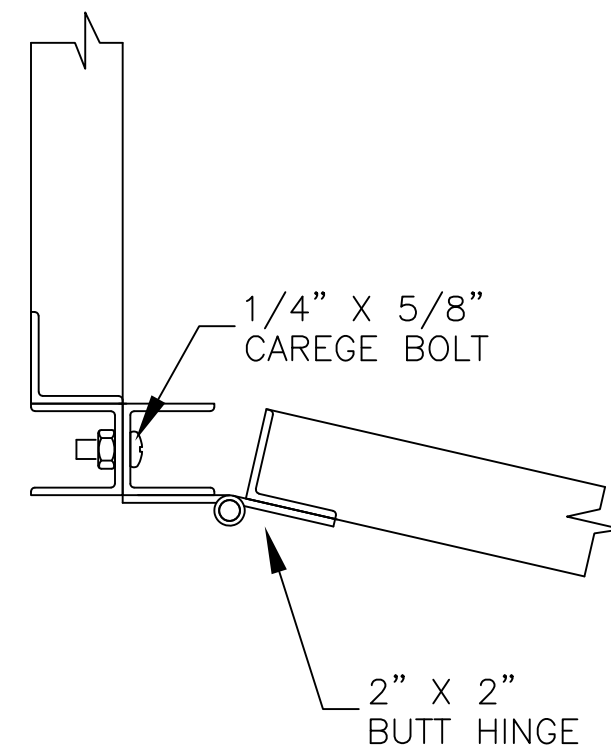
ELEVATION A  
SCALE: 1/4" = 1'-0"



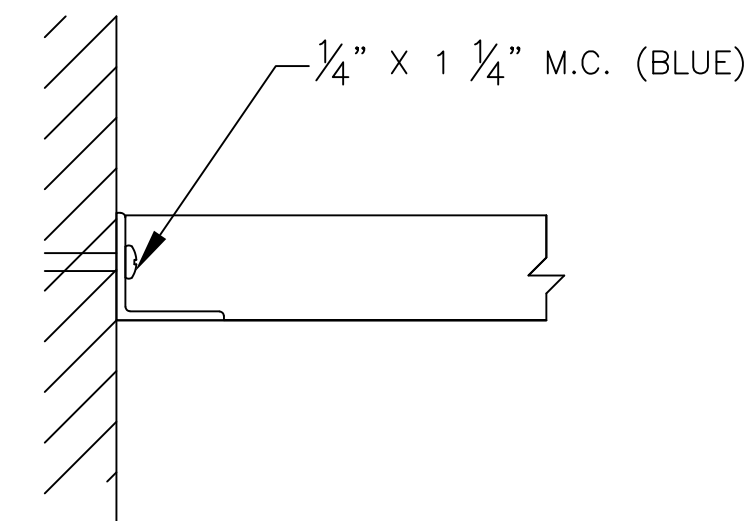
ELEVATION B X8  
SCALE: 3/16" = 1'-0"



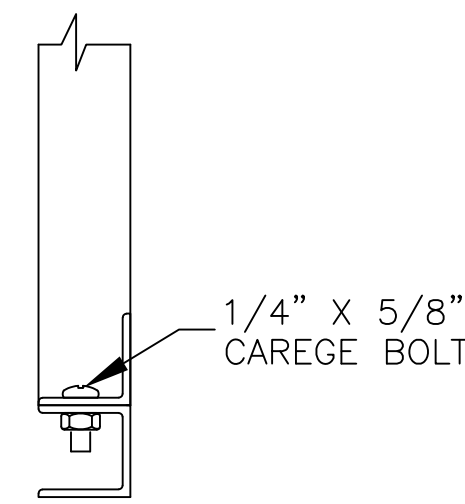
DETAIL 1



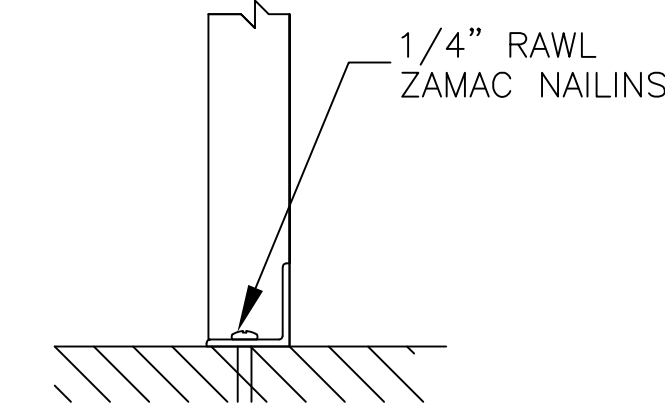
DETAIL 2



DETAIL 3



DETAIL 4



SECTION A

## SPECIFICATIONS

### ACORN EXPANDED METAL STORAGE UNITS

MESH: 1-1/2" X #16 F

FRAME:	1 1/4" x 1 1/4" C.R. ANGLE
HORIZONTAL REINFORCING:	1" x 1 1/2" C.R. ANGLE
HINGE DOOR FRAME:	1" x 1 1/2" C.R. ANGLE
LOCKING DEVICE:	HASP FOR PADLOCK
	PADLOCK BY: <u>OTHERS</u>

Order No. \_\_\_\_\_  
 Sheet No. 1 of 1  
 Product EXPANDED METAL STORAGE UNITS  
 Specification POWDER COAT-TOWER GRAY  
 Material Finish ER  
 Archt.-Eng. Drwg. Ref. \_\_\_\_\_ Date \_\_\_\_\_  
 Drawn By ER  
 Revision \_\_\_\_\_

Project \_\_\_\_\_  
 Location \_\_\_\_\_  
 Architect \_\_\_\_\_  
 Gen. Contractor customer  
 customer

Chicago  
 Phone: (800) 552-2676  
 Fax: (888) 452-2676  
**Acorn Wire and Iron Works**  
 2415 W. 21st Street Chicago, IL 60608