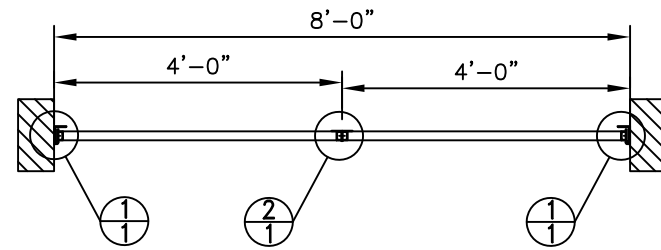


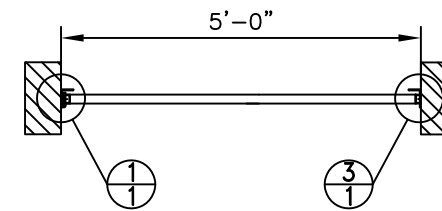
PLAN VIEW

SCALE: $\frac{3}{8}$ " = 1'-0"



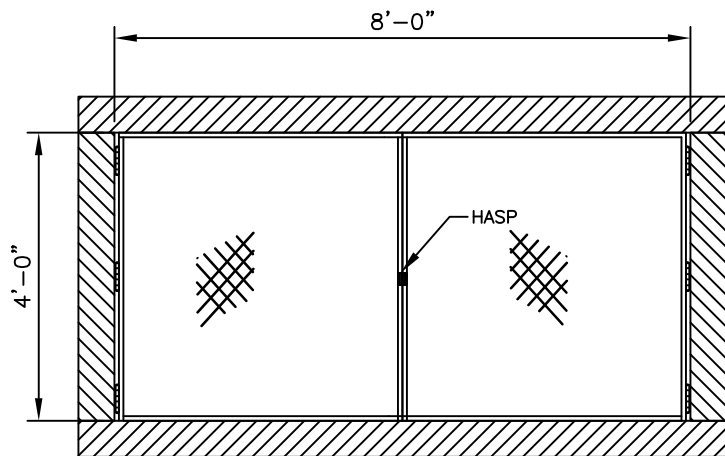
PLAN VIEW

SCALE: $\frac{3}{8}$ " = 1'-0"



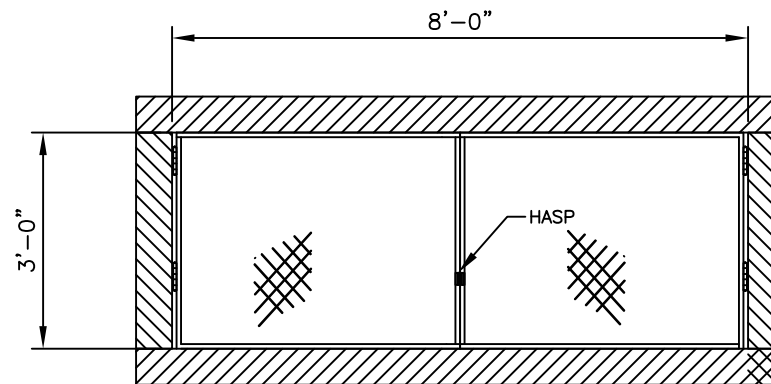
PLAN VIEW

SCALE: $\frac{3}{8}$ " = 1'-0"



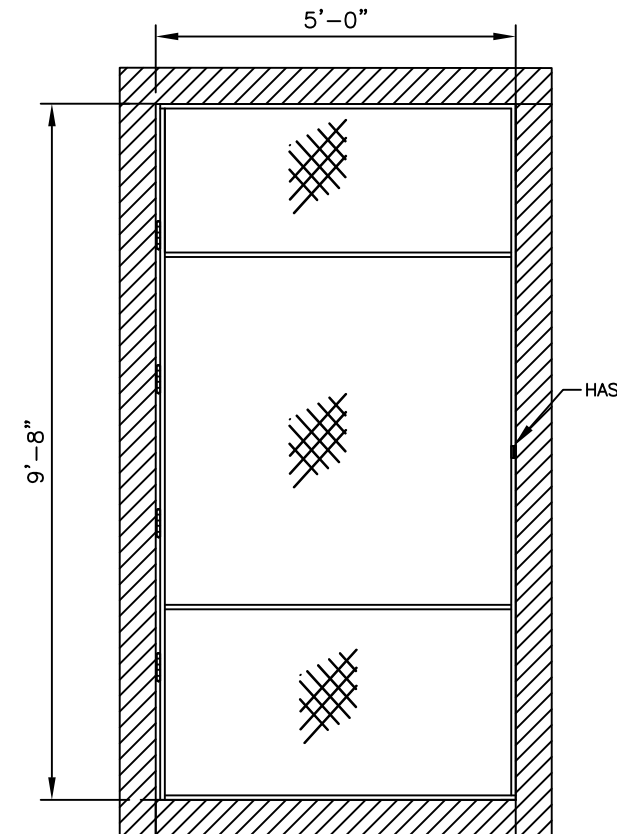
ELEVATION VIEW

SCALE: $\frac{3}{8}$ " = 1'-0"



ELEVATION VIEW

SCALE: $\frac{3}{8}$ " = 1'-0"



ELEVATION VIEW

SCALE: $\frac{3}{8}$ " = 1'-0"

DESIGN NOTES

1. OUR SYSTEM UTILIZES A TOP CAPPING CHANNEL THAT LOCKS THE PANELS TOGETHER AND STIFFENS THE ENTIRE RUN. WE RECOMMEND A MINIMUM OF 2" OF CLEARANCE BETWEEN THE TOP OF THE PARTITION AND THE CEILING IN ORDER TO INSTALL THIS CAPPING CHANNEL. IF THE TOP CAPPING CHANNEL IS NOT APPLICABLE, WE RECOMMEND THE USE OF OUR WC2 CLIP MOUNTED TO THE TOP OF THE PARTITION WITH A MINIMUM $\frac{1}{2}$ " GAP BETWEEN THE TOP OF THE PARTITION AND THE CEILING. THIS WILL ALLOW FOR SOME ADJUSTABILITY IN THE EVENT THAT THE CEILING IS NOT PERFECTLY FLAT, WHILE CREATING A VERY RIGID SYSTEM.
2. DUE TO THE USE OF A DIAMOND PATTERN, THERE ARE ONLY VERY SPECIFIC WIDTHS AND HEIGHTS THAT WILL CREATE WHAT WE CALL A "GOOD" PANEL. ANY WIDTH AND HEIGHT CAN BE MADE. HOWEVER, IT WILL BE BOTH FASTER AND CHEAPER TO USE AS MANY "GOOD" PANELS AS POSSIBLE.
3. ONLY OUR MOST STANDARD DETAILS ARE SHOWN HERE, AS WE HAVE SEVERAL HUNDRED DIFFERENT DETAILS FOR DIFFERENT MOUNTING APPLICATIONS. IF YOU DO NOT SEE WHAT YOU NEED HERE, OR IF YOU HAVE A CUSTOM APPLICATION, PLEASE CONTACT US AND ONE OF OUR ENGINEERS WILL BE ABLE TO HELP YOU WITH YOUR SPECIFIC NEEDS.
4. OUR SYSTEMS ARE ALWAYS UPDATED TO MEET THE MOST CURRENT BUILDING CODES AND REGULATIONS. IF REQUIRED, DESIGN DATA AND STRUCTURAL CALCULATIONS CAN BE PROVIDED UPON REQUEST.

# OF GUARDS:	3
# OF HINGED DOORS:	0
# OF SLIDE DOORS:	0
# OF TRANSOM PANELS:	0

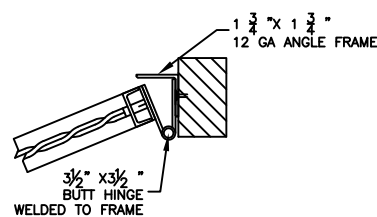
SPECIFICATIONS

ACORN NO. 135 HEAVY DUTY WIRE MESH PARTITION

WIRE:	NO. 6 GAUGE (.192")
MESH:	2" DIAMOND
FRAME:	1 1/2" X 3/4" 11 GA H.R. CHANNEL
TOP CAPPING BAR:	3" AT 4.1 LB.
FLOOR SHOE:	2 1/2" HIGH CAST ALUMINUM
FLAT BARS:	5/16" X 2 1/2" H.R.
LOCKING DEVICE:	VERTICAL CHANNEL HASP FOR PADLOCK

ALL DIMENSIONS MUST BE FIELD VERIFIED PRIOR TO FABRICATION

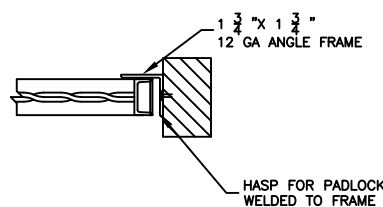
CUSTOMER APPROVAL
 FABRICATE AS DRAWN FABRICATE AS MARKED RESUBMIT
 SIGNATURE: _____ DATE: _____



DETAIL 1



DETAIL 2



DETAIL 3



Chicago Dallas
 Phone: (800) 552-2676
 Fax: (888) 452-2676

Acorn Wire and Iron Works
 2415 W. 21 STREET CHICAGO, IL 60608

Project _____
 Location _____
 Architect _____
 Gen. Contractor _____
 customer _____

Product WIRE MESH PARTITION
 Specification ACORN 135 WINDOW GUARDS
 Material Finish POWDER COAT-
 Archt.-Eng. Drwg. Ref. _____
 Drawn By ER Date _____
 Revision _____

Order No. _____

Sheet No. _____

1 of 1