

ELEVATION A  
SCALE: 3/4" = 1'-0"

ELEVATION B  
SCALE: 3/4" = 1'-0"

**DESIGN NOTES**

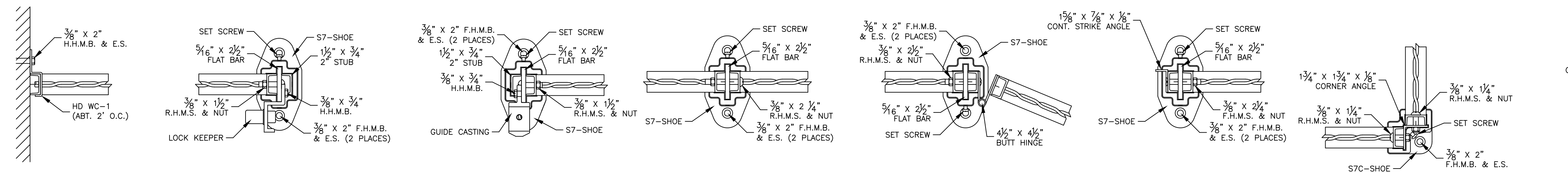
- OUR SYSTEM UTILIZES A TOP CAPPING CHANNEL THAT LOCKS THE PANELS TOGETHER AND STIFFENS THE ENTIRE RUN. WE RECOMMEND A MINIMUM OF 2" OF CLEARANCE BETWEEN THE TOP OF THE PARTITION AND THE CEILING IN ORDER TO INSTALL THIS CAPPING CHANNEL. IF THE TOP CAPPING CHANNEL IS NOT APPLICABLE, WE RECOMMEND THE USE OF OUR WC CLIP MOUNTED TO THE TOP OF THE PARTITION WITH A MINIMUM 1/2" GAP BETWEEN THE TOP OF THE PARTITION AND THE CEILING. THIS WILL ALLOW FOR SOME ADJUSTABILITY IN THE EVENT THAT THE CEILING IS NOT PERFECTLY FLAT, WHILE CREATING A VERY RIGID SYSTEM.
- DUE TO THE USE OF A DIAMOND PATTERN, THERE ARE ONLY VERY SPECIFIC WIDTHS AND HEIGHTS THAT WILL CREATE WHAT WE CALL A "GOOD" PANEL. ANY WIDTH AND HEIGHT CAN BE MADE, HOWEVER, IT WILL BE BOTH FASTER AND CHEAPER TO USE AS MANY "GOOD" PANELS AS POSSIBLE.
- ONLY OUR MOST STANDARD DETAILS ARE SHOWN HERE, AS WE HAVE SEVERAL HUNDRED DIFFERENT DETAILS FOR DIFFERENT MOUNTING APPLICATIONS. IF YOU DO NOT SEE WHAT YOU NEED HERE, OR IF YOU HAVE A CUSTOM APPLICATION, PLEASE CONTACT US AND ONE OF OUR ENGINEERS WILL BE ABLE TO HELP YOU WITH YOUR SPECIFIC NEEDS.
- OUR SYSTEMS ARE ALWAYS UPDATED TO MEET THE MOST CURRENT BUILDING CODES AND REGULATIONS. IF REQUIRED, DESIGN DATA AND STRUCTURAL CALCULATIONS CAN BE PROVIDED UPON REQUEST.

# OF PANELS:	5
# OF HINGED DOORS:	1
# OF SLIDE DOORS:	1
# OF TRANSOM PANELS:	2
# OF CAPPINGS:	0

**SPECIFICATIONS**  
ACORN NO. 135  
HEAVY DUTY WIRE MESH PARTITION

WIRE: NO. 6 GAUGE (.192")  
MESH: 2" DIAMOND  
FRAME: 1 1/2" X 3/4" H.R. CHANNEL  
TOP CAPPING BAR: 3" AT 4.1 LB.  
FLOOR SHOE: 5/8" HIGH CAST ALUMINUM  
FLAT BARS: 5/16" X 2 1/2" H.R. VERTICAL CHANNEL  
SLIDE DOOR FRAME: 1/2" X 3/4" H.R. VERTICAL CHANNEL  
LOCKING DEVICE: MARKS LOCKSET (MODEL # W3820)  
CYLINDERS BY: ACORN

ALL DIMENSIONS MUST BE FIELD VERIFIED PRIOR TO FABRICATION



DETAIL 1      DETAIL 2      DETAIL 3      DETAIL 4      DETAIL 5      DETAIL 6      DETAIL 7      SECTION A

CUSTOMER APPROVAL  
 FABRICATE AS DRAWN    FABRICATE AS MARKED    RESUBMIT  
 SIGNATURE: \_\_\_\_\_ DATE: \_\_\_\_\_

**Chicago**  
 Phone: (800) 552-2676  
 Fax: (888) 452-2676  
**Acorn Wire and Iron Works**  
 2415 W. 21 Street Chicago, IL 60608

Order No. \_\_\_\_\_  
 Sheet No. 1 of \_\_\_\_\_

Product: WIRE MESH PARTITION  
 Specification: ACORN 135  
 Material Finish: \_\_\_\_\_  
 Archt.-Eng. Drwg. Ref.: \_\_\_\_\_  
 Drawn By: ER  
 Date: \_\_\_\_\_  
 Revision: \_\_\_\_\_

Project: \_\_\_\_\_  
 Location: \_\_\_\_\_  
 Architect: \_\_\_\_\_  
 Gen. Contractor: customer